

# Mountain Top<sup>®</sup> Style

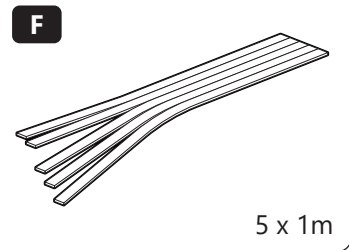
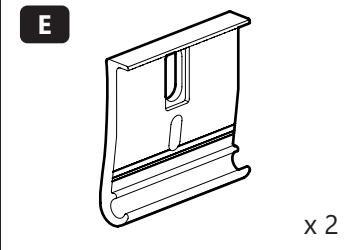
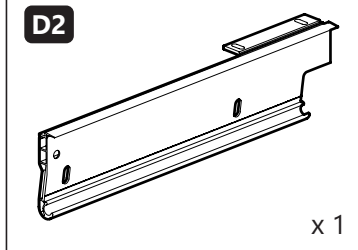
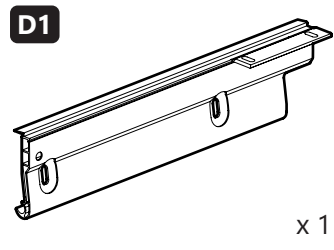
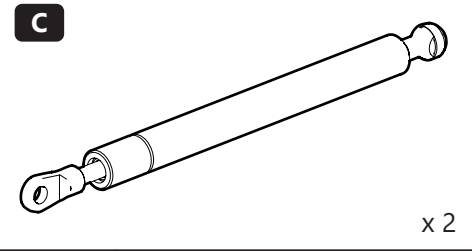
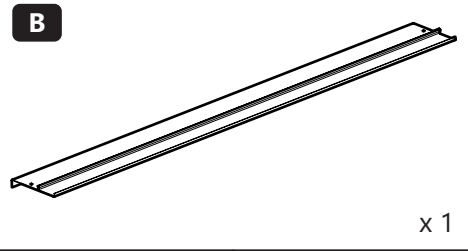
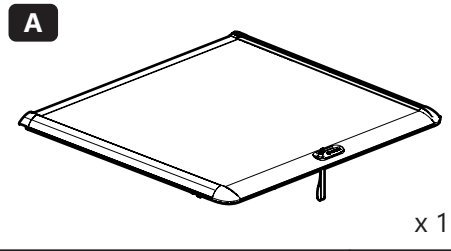
Installation manual



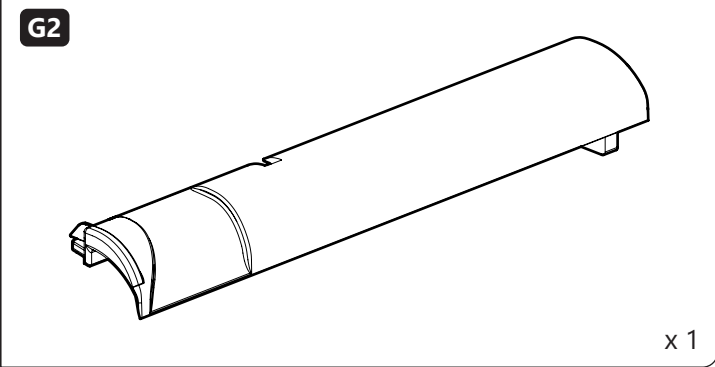
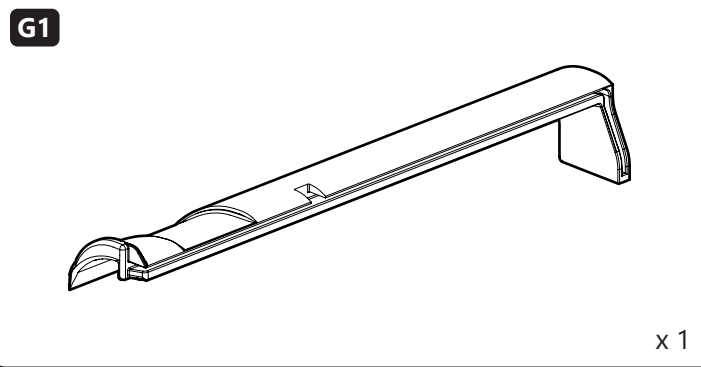




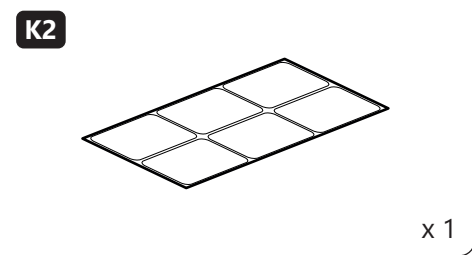
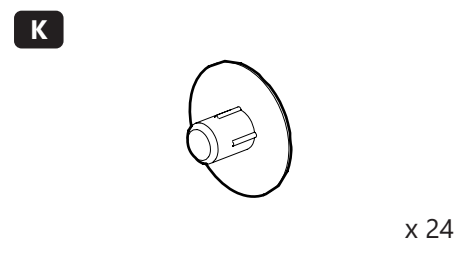
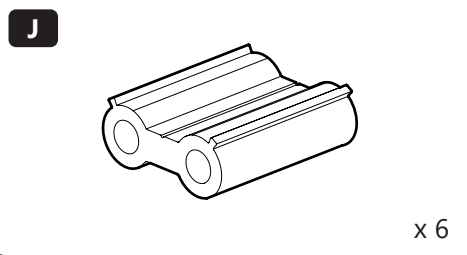
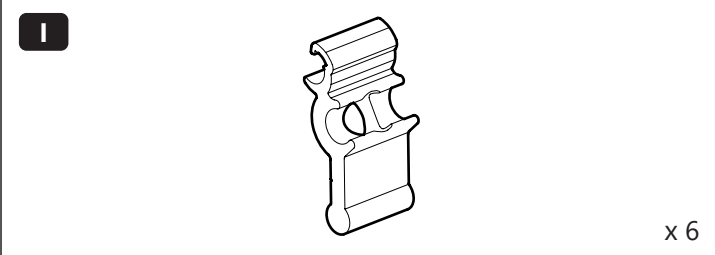
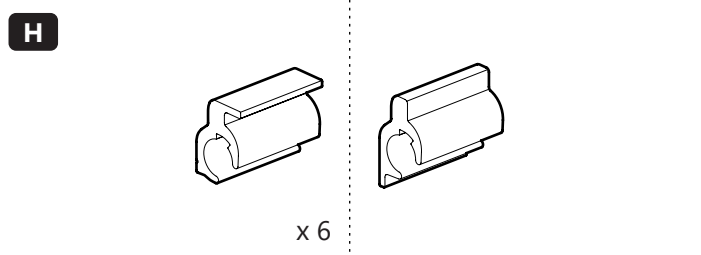
Parts


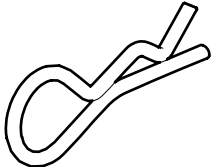
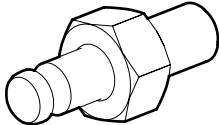
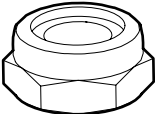
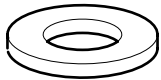



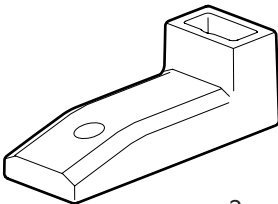
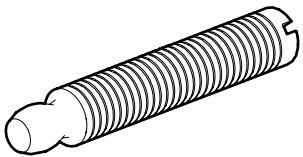
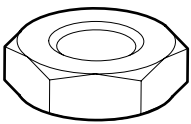
Kit


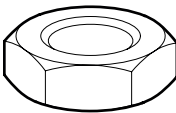

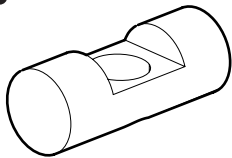

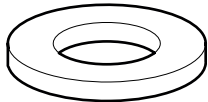
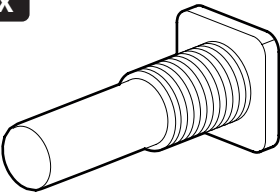
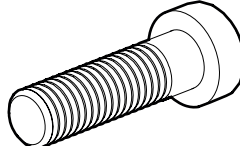
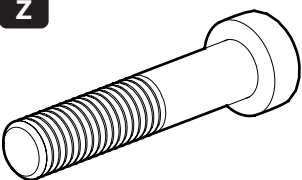



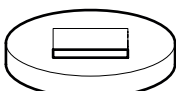
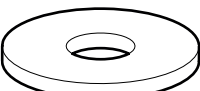
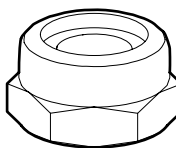
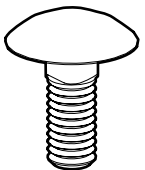
Kit

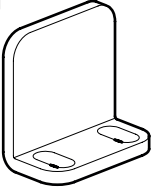
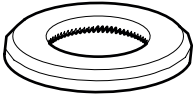
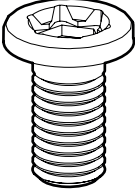
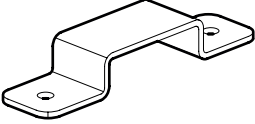
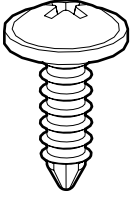



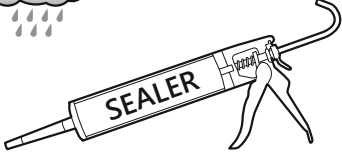
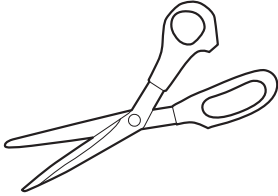

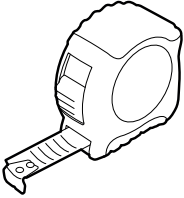
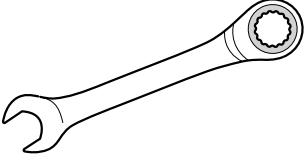
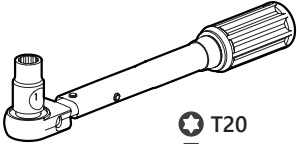



 Kit			
<b>L</b>  x 2	<b>M</b>  x 2	<b>N</b>  x 2	<b>O</b>  x 2

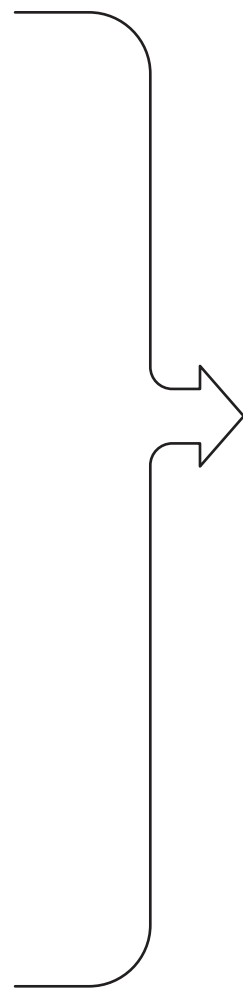
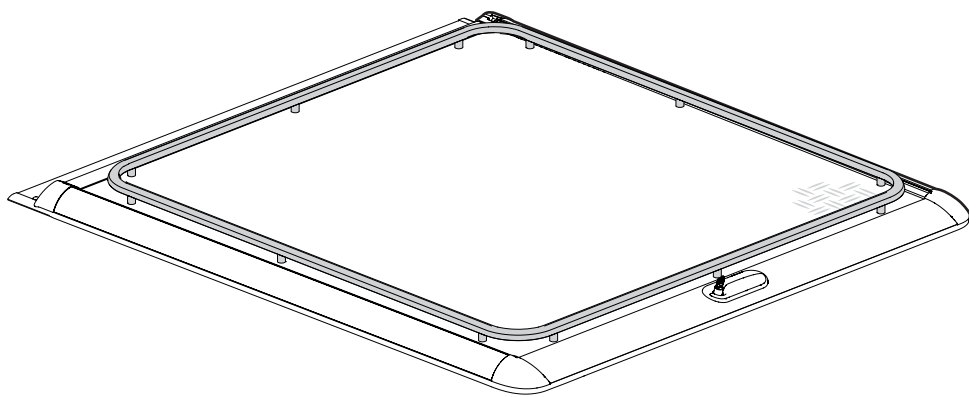
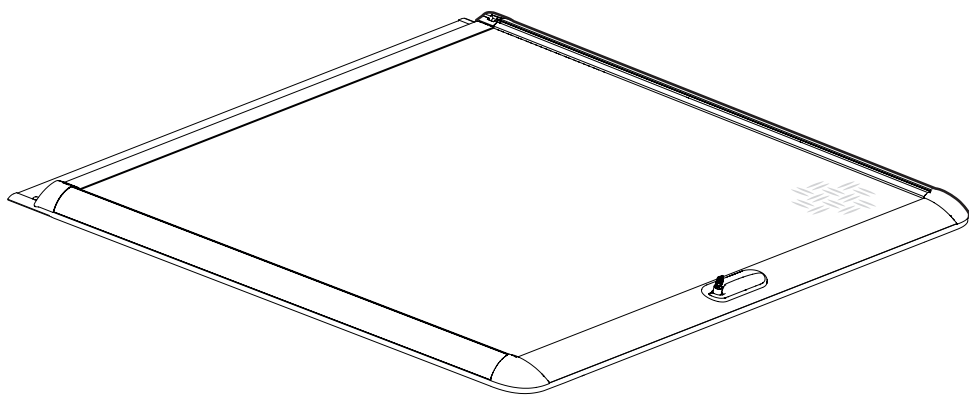
 Kit		
<b>P</b>  x 2	<b>Q</b>  x 4	<b>R</b>  x 4

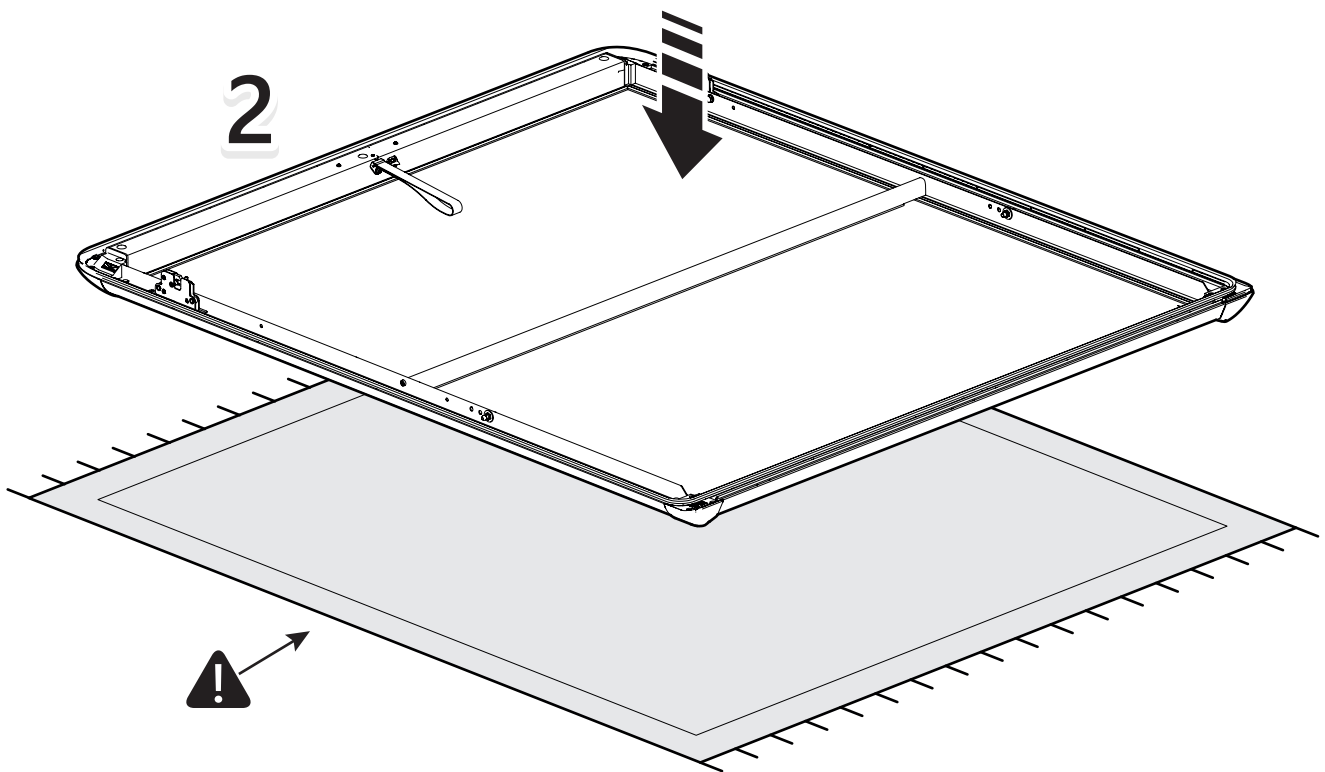
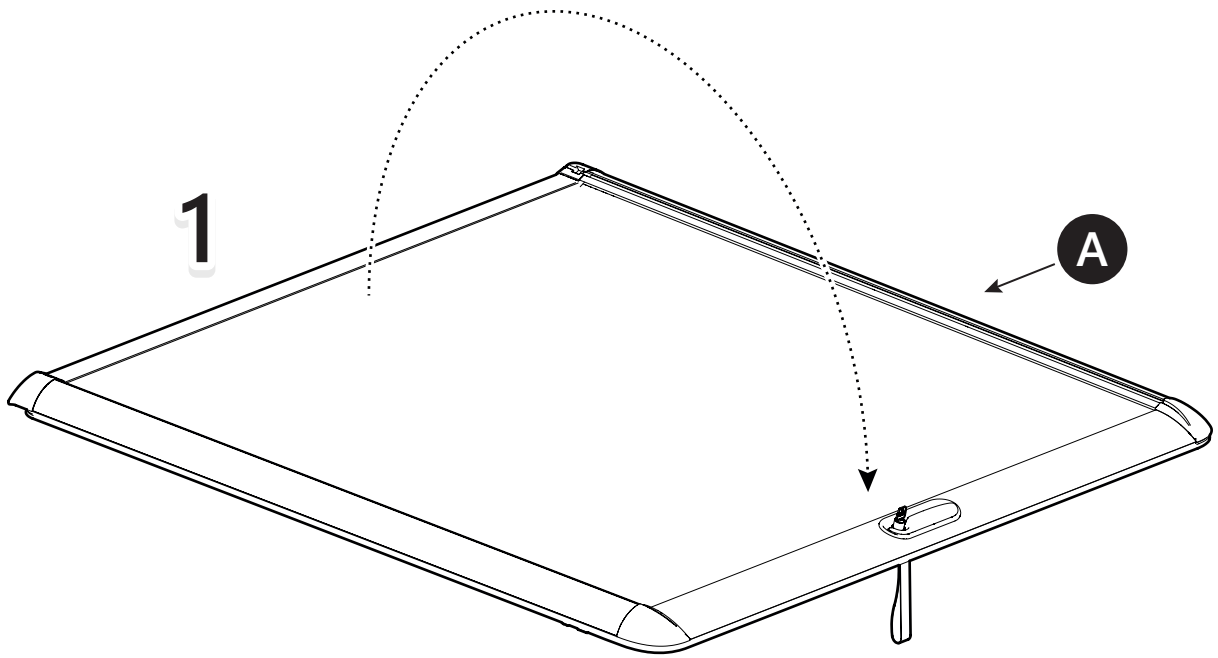
 Kit			
<b>S</b>  x 2	<b>T</b>  x 6	<b>U</b>  x 6	<b>V</b>  x 6
<b>W</b>  x 2	<b>X</b>  x 2	<b>Y</b>  x 6 TOYOTA x 4	<b>Z</b>  TOYOTA x 2

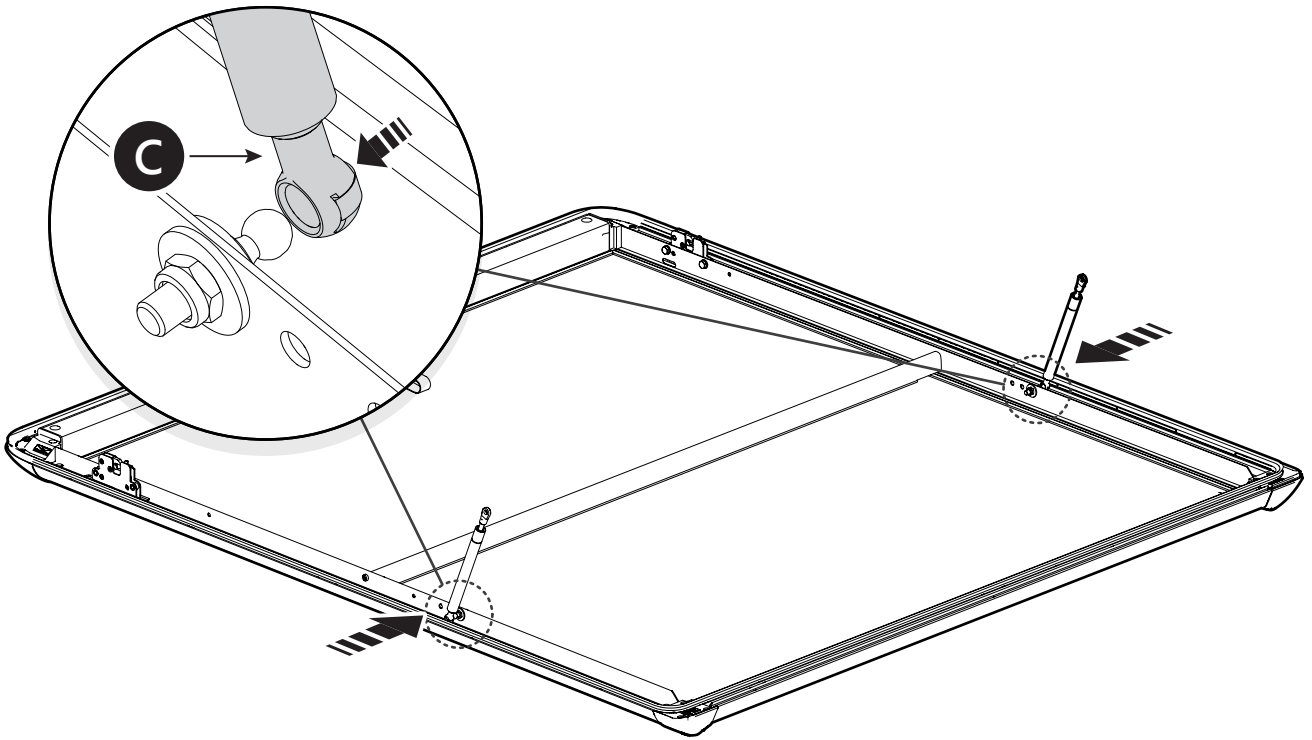
 Kit			
<b>A2</b>  x 4	<b>B2</b>  x 4	<b>C2</b>  x 4	<b>D2</b>  x 4

Kit				
 <p><b>E2</b></p> <p>x 2</p>	 <p><b>F2</b></p> <p>x 4</p>	 <p><b>G2</b></p> <p>x 4</p>	 <p><b>H2</b></p> <p>x 2</p>	 <p><b>I2</b></p> <p>x 4</p>

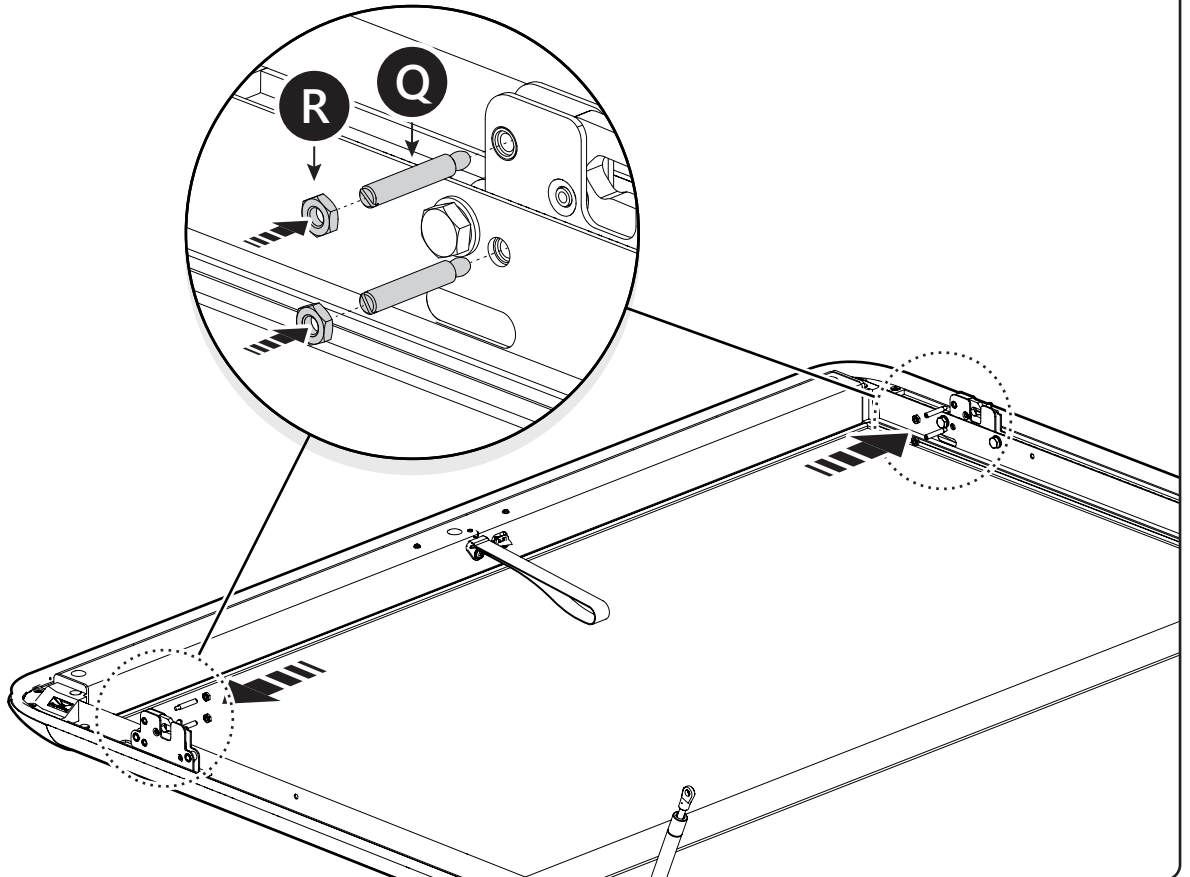
Tools and materials needed		
 		
	 <p>10, 13, 19mm</p>	<p>1-25 Nm</p>  <ul style="list-style-type: none"> <li> T20</li> <li> 10, 13, 19mm</li> <li> 5mm</li> </ul>





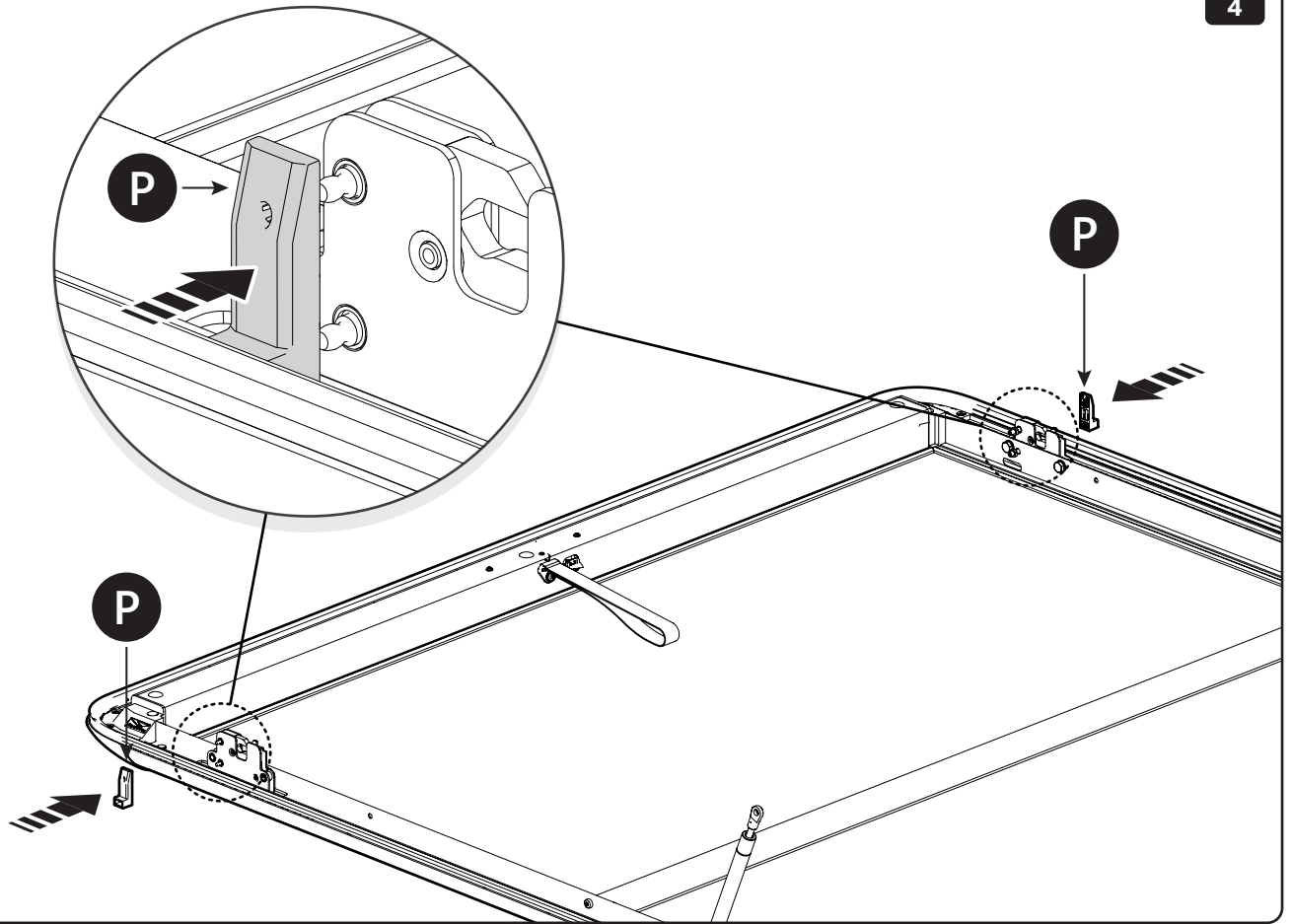


10mm

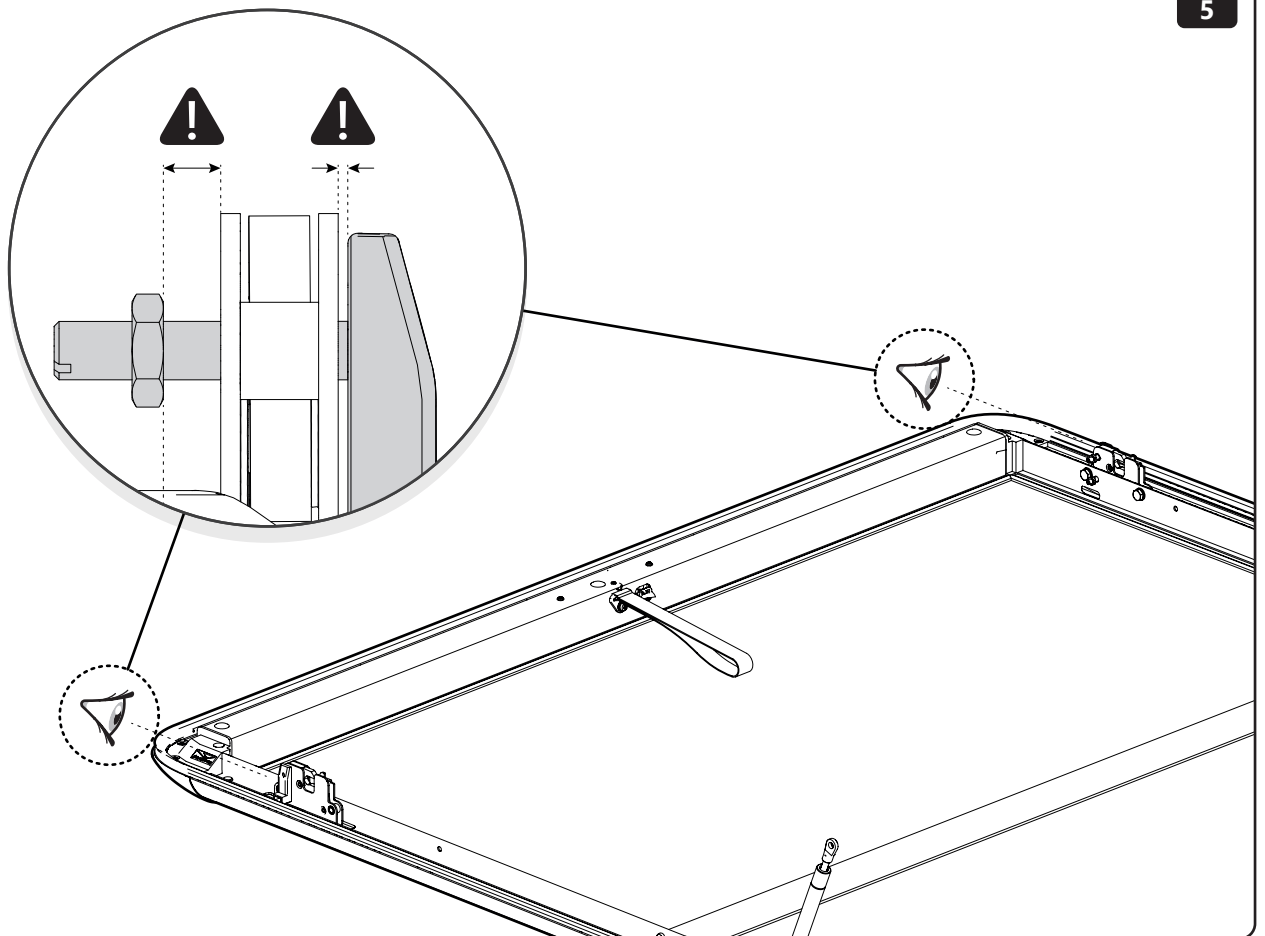


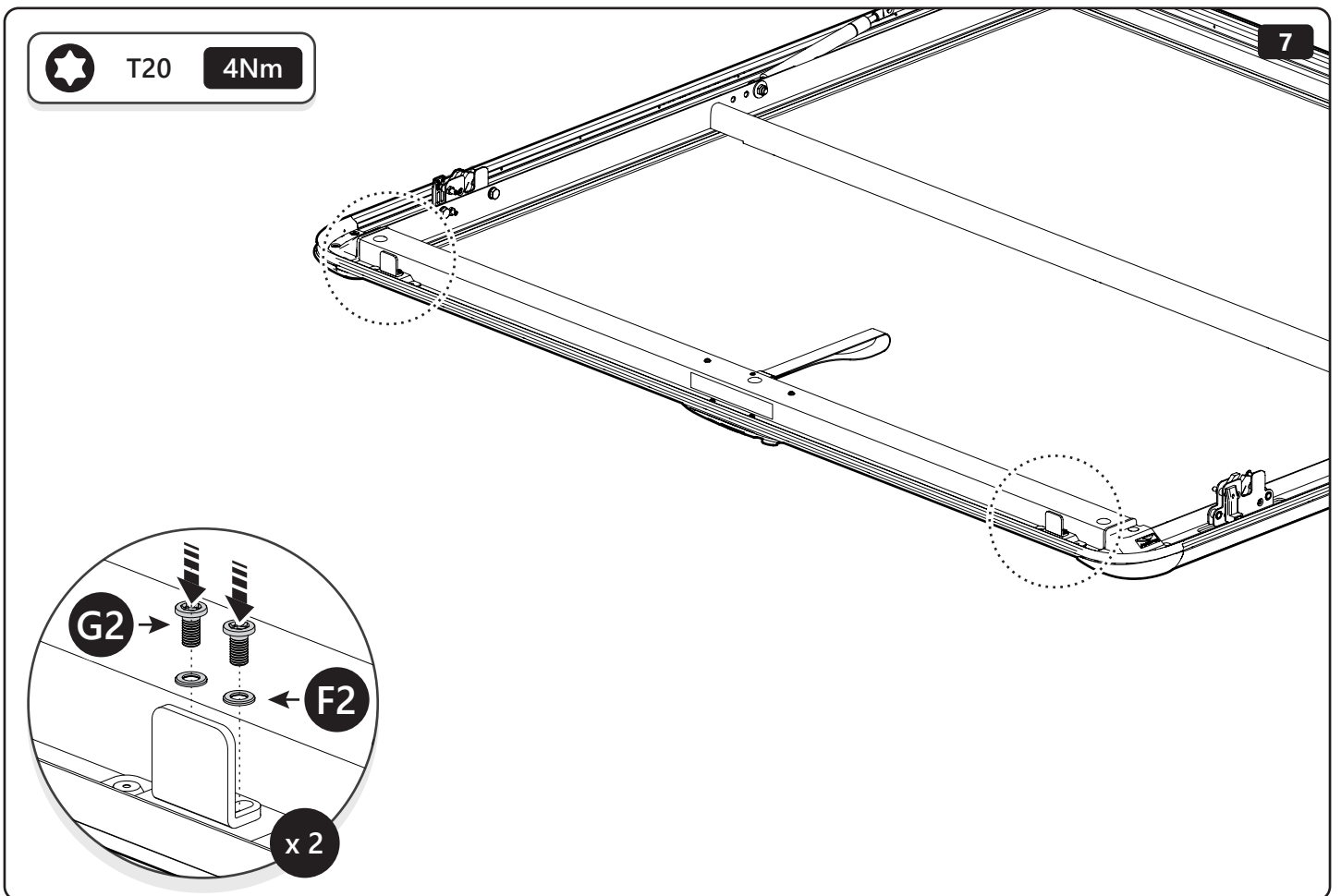
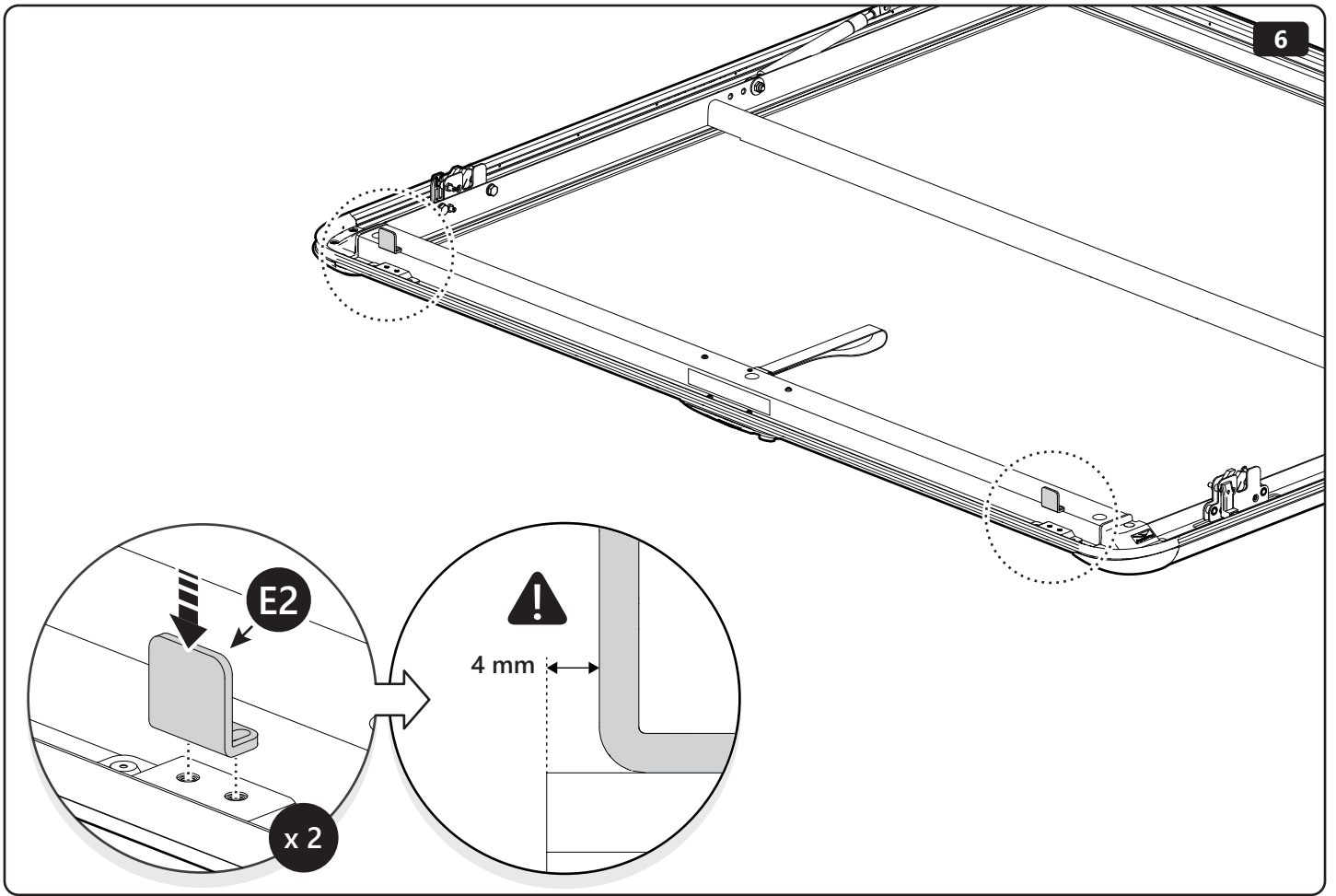


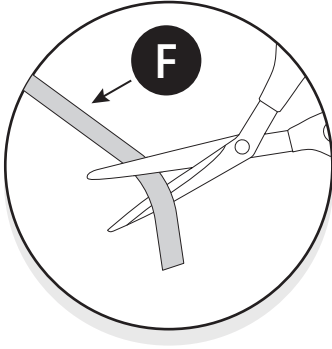
4



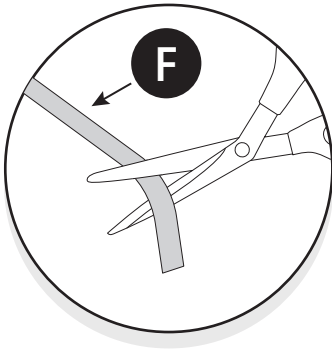
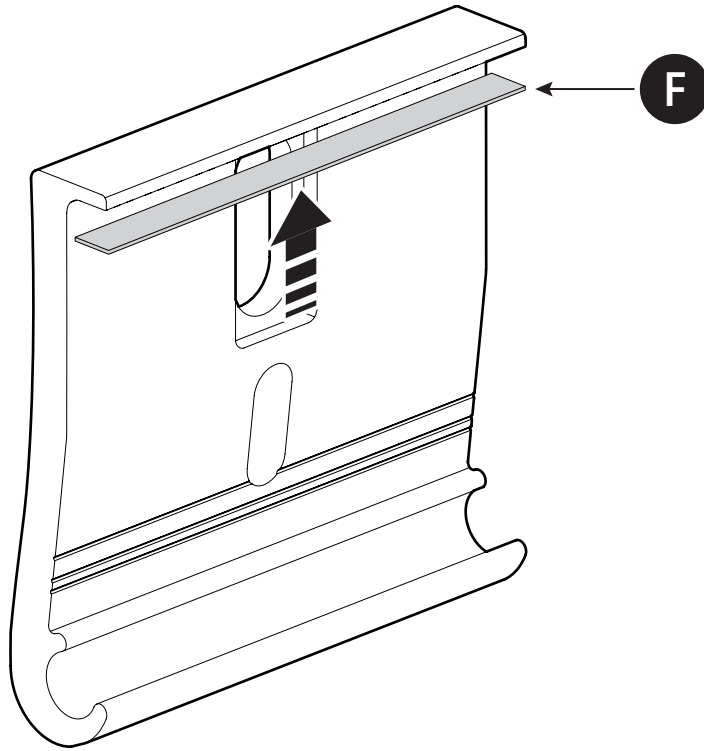
5





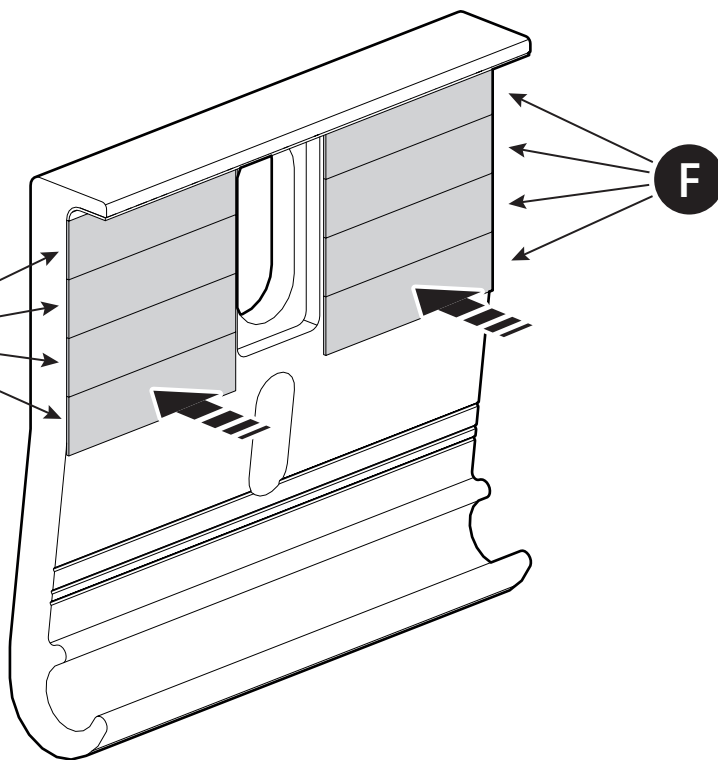


**E** →

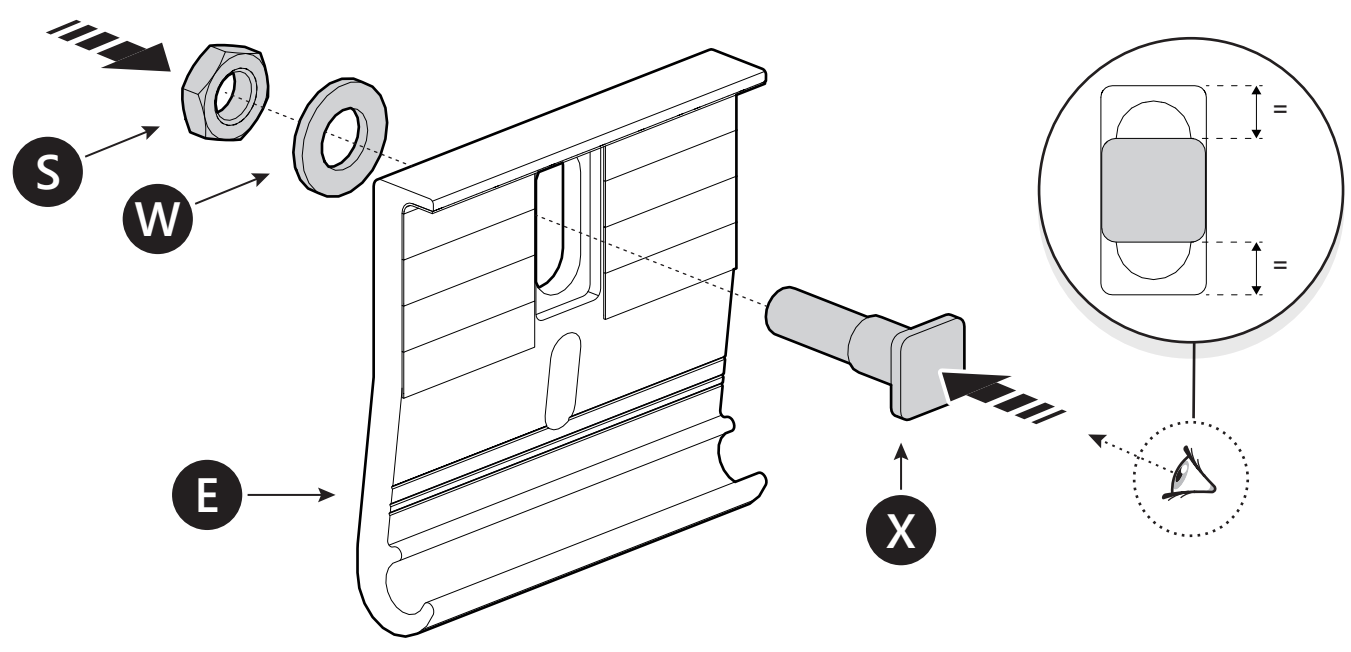


**F**

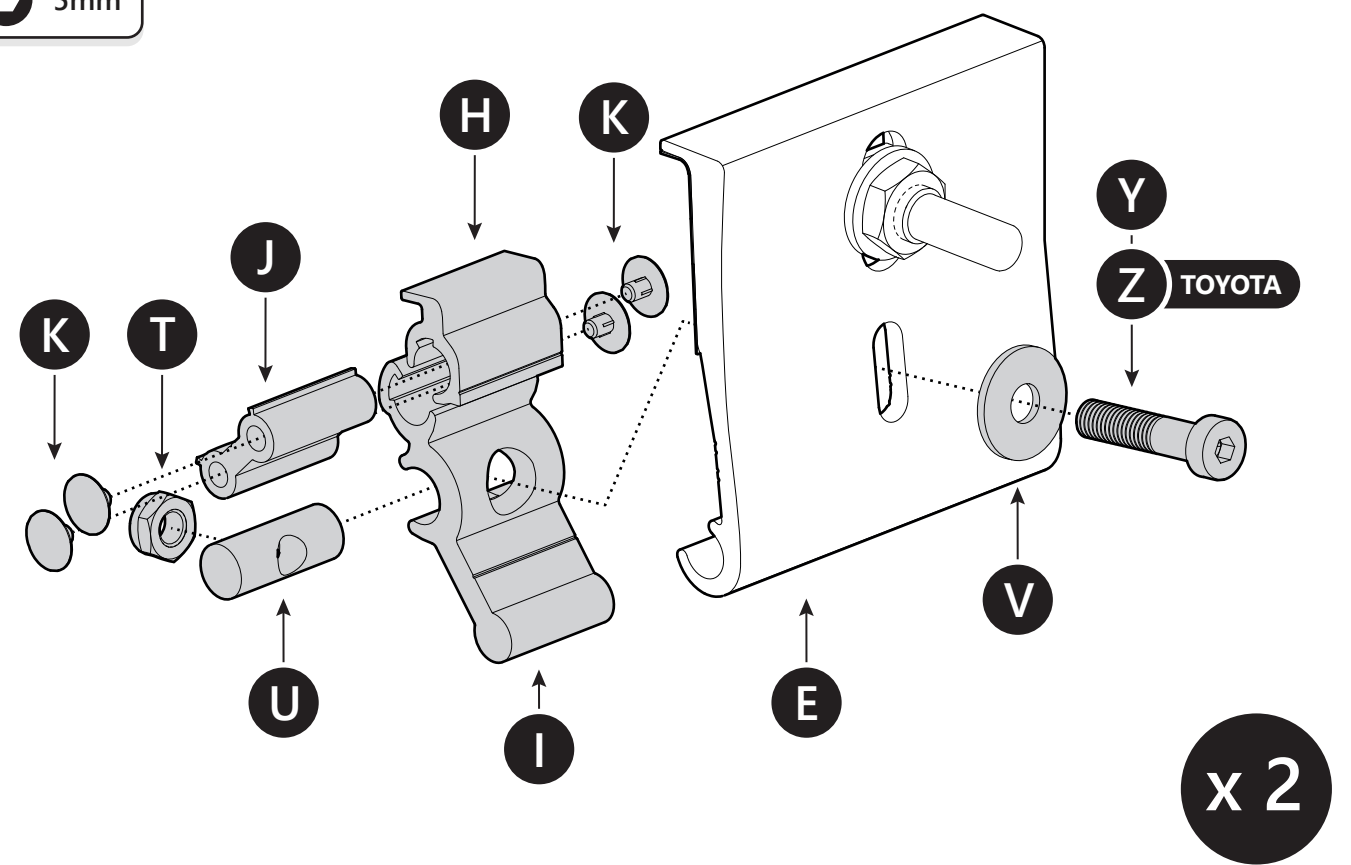
**E** →



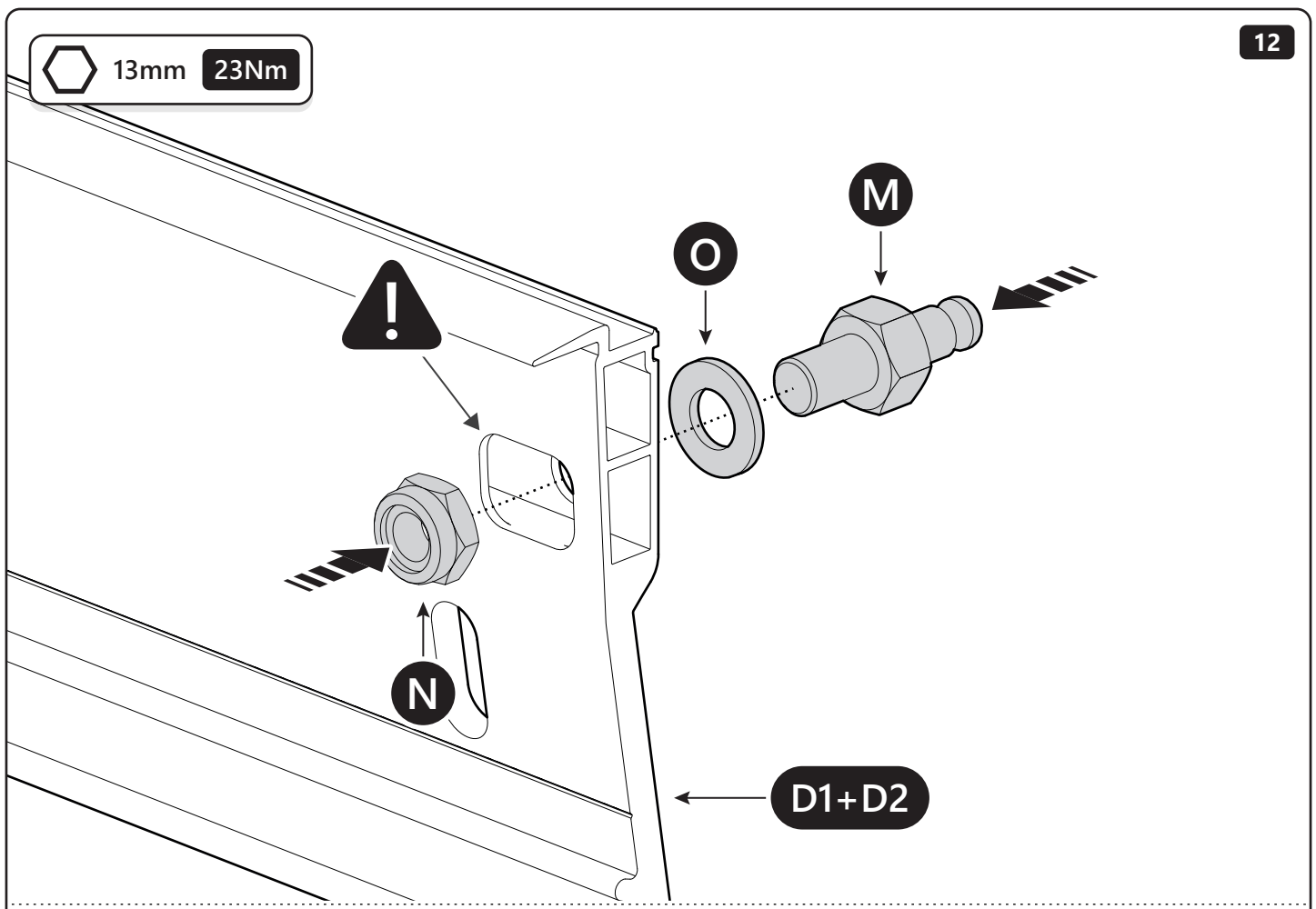
19mm



5mm

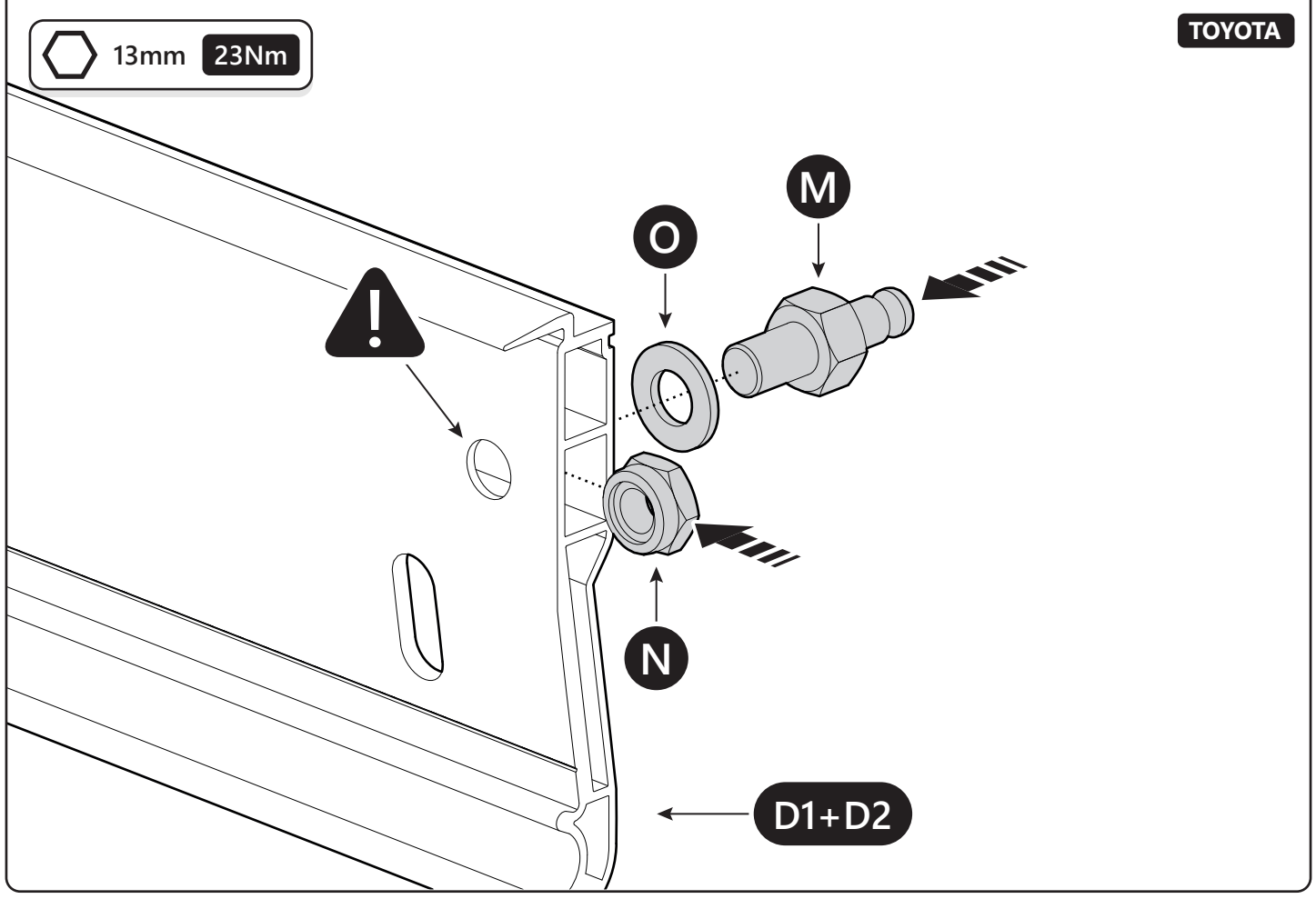


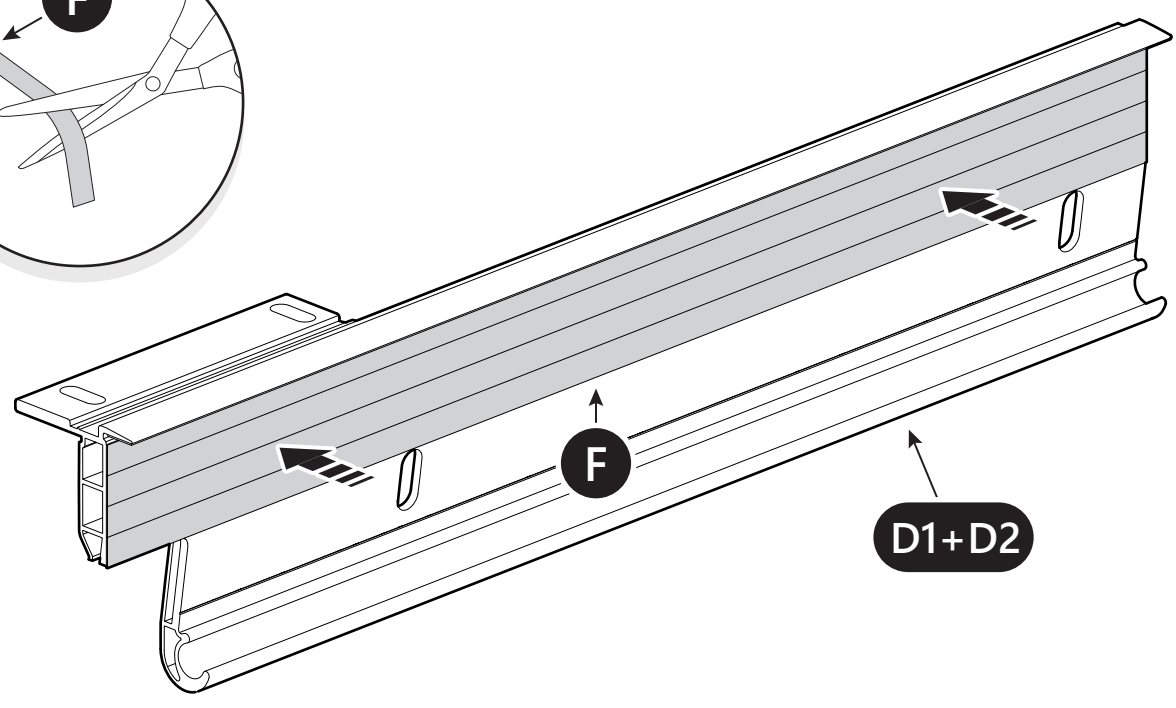
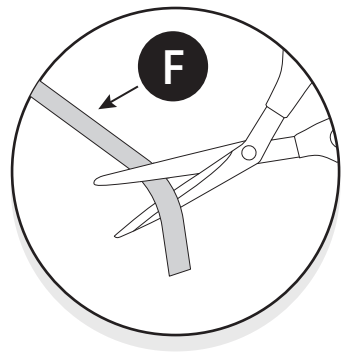
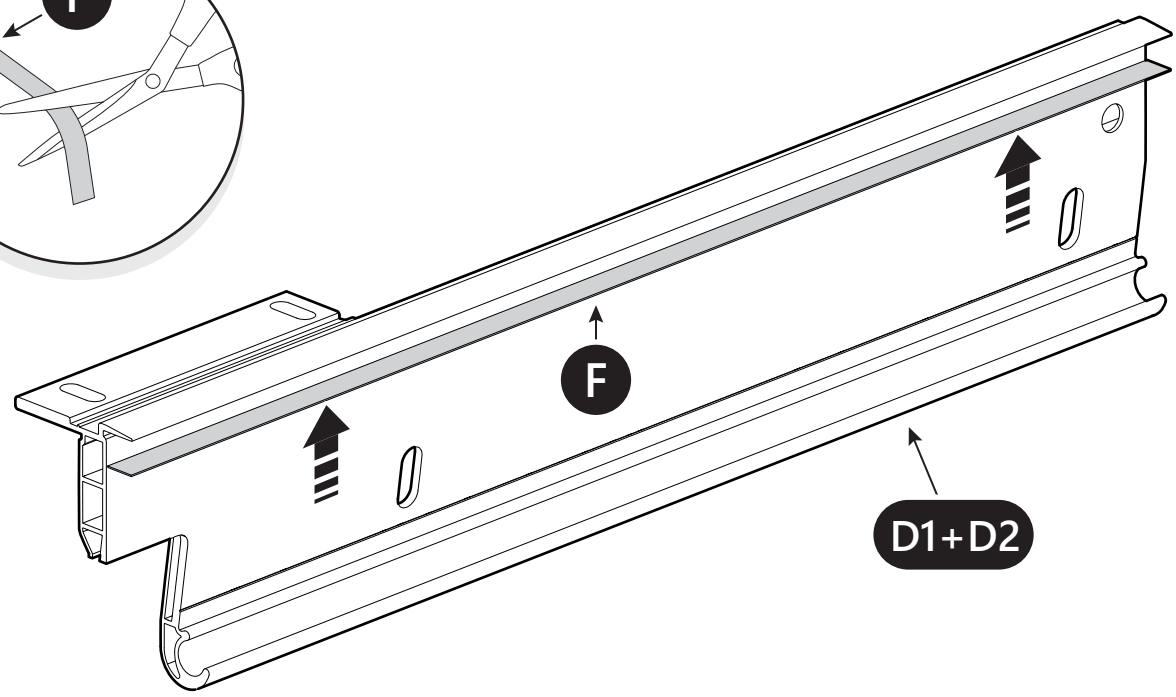
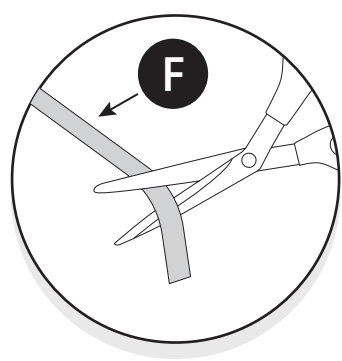
13mm 23Nm



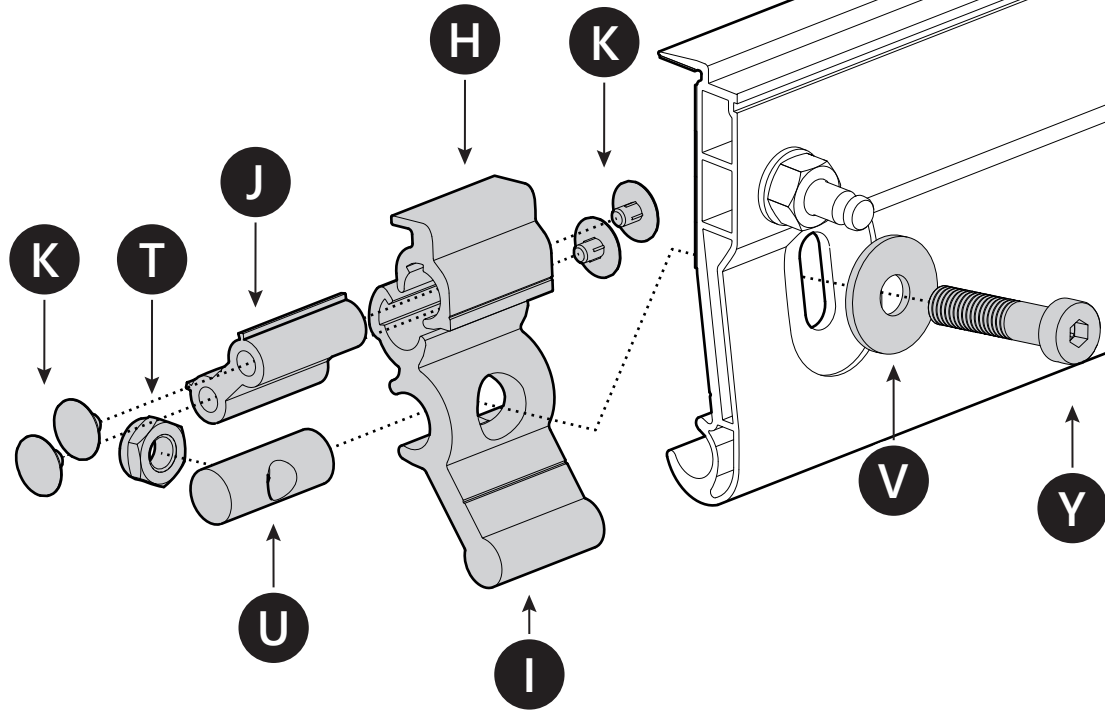
TOYOTA

13mm 23Nm

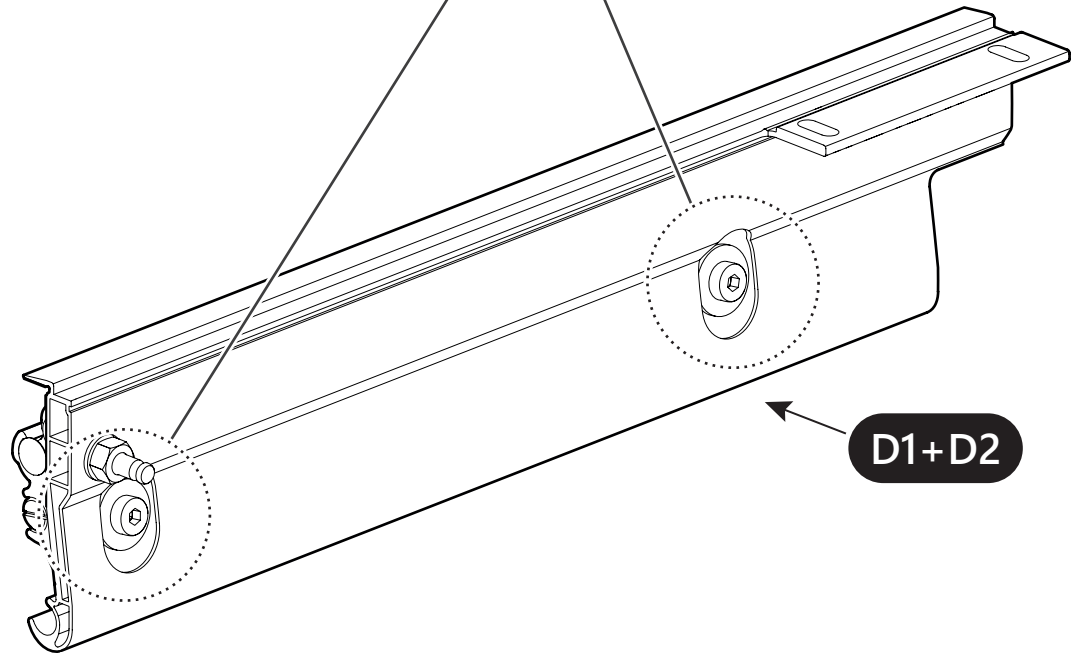


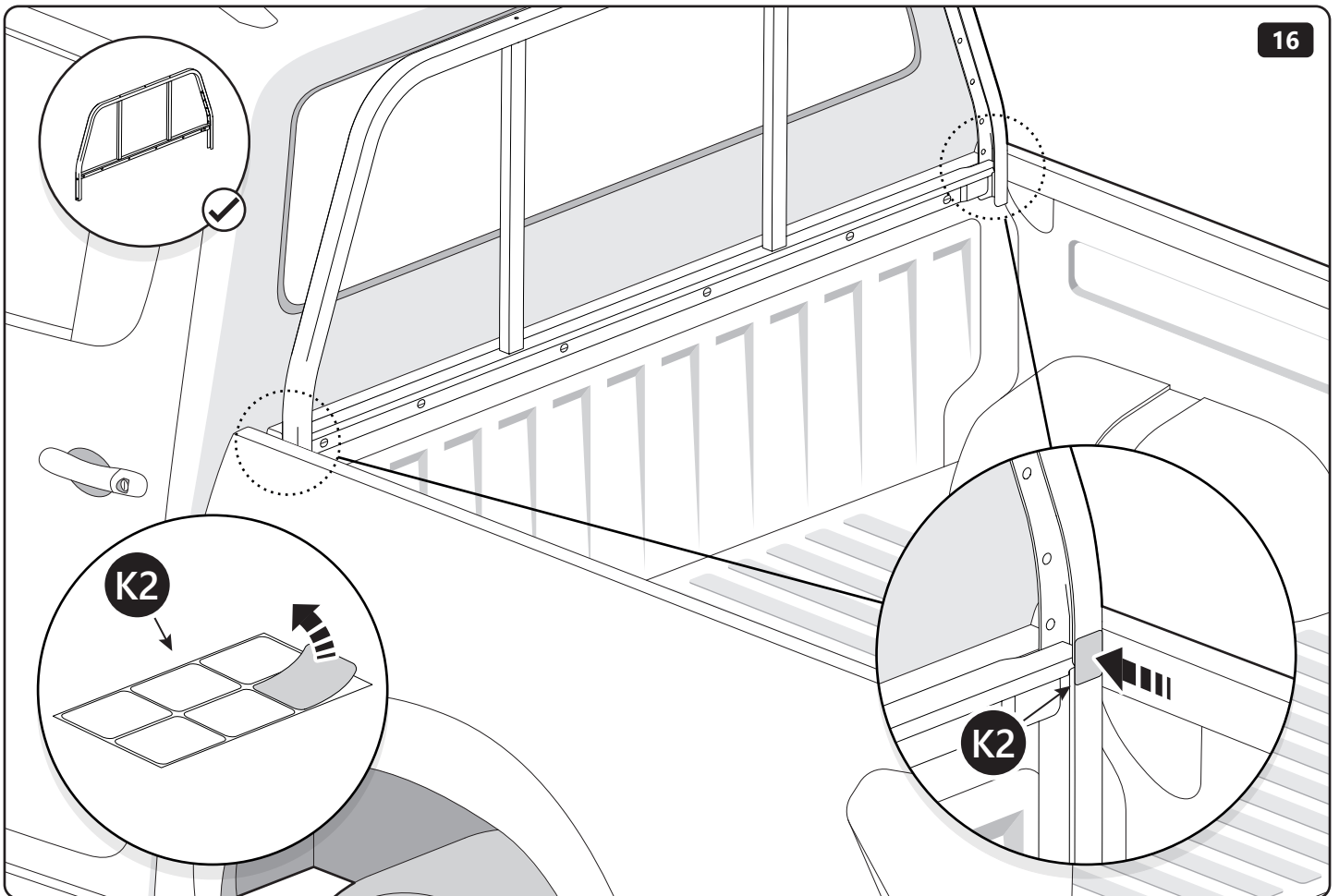
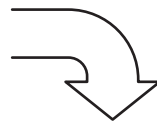
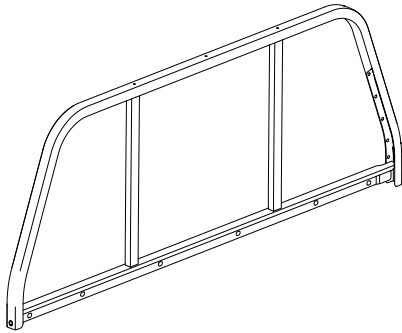
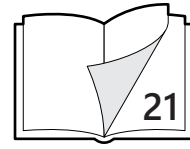
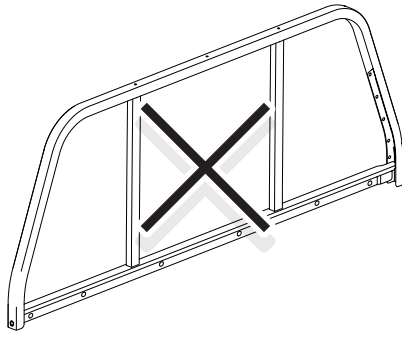


5mm

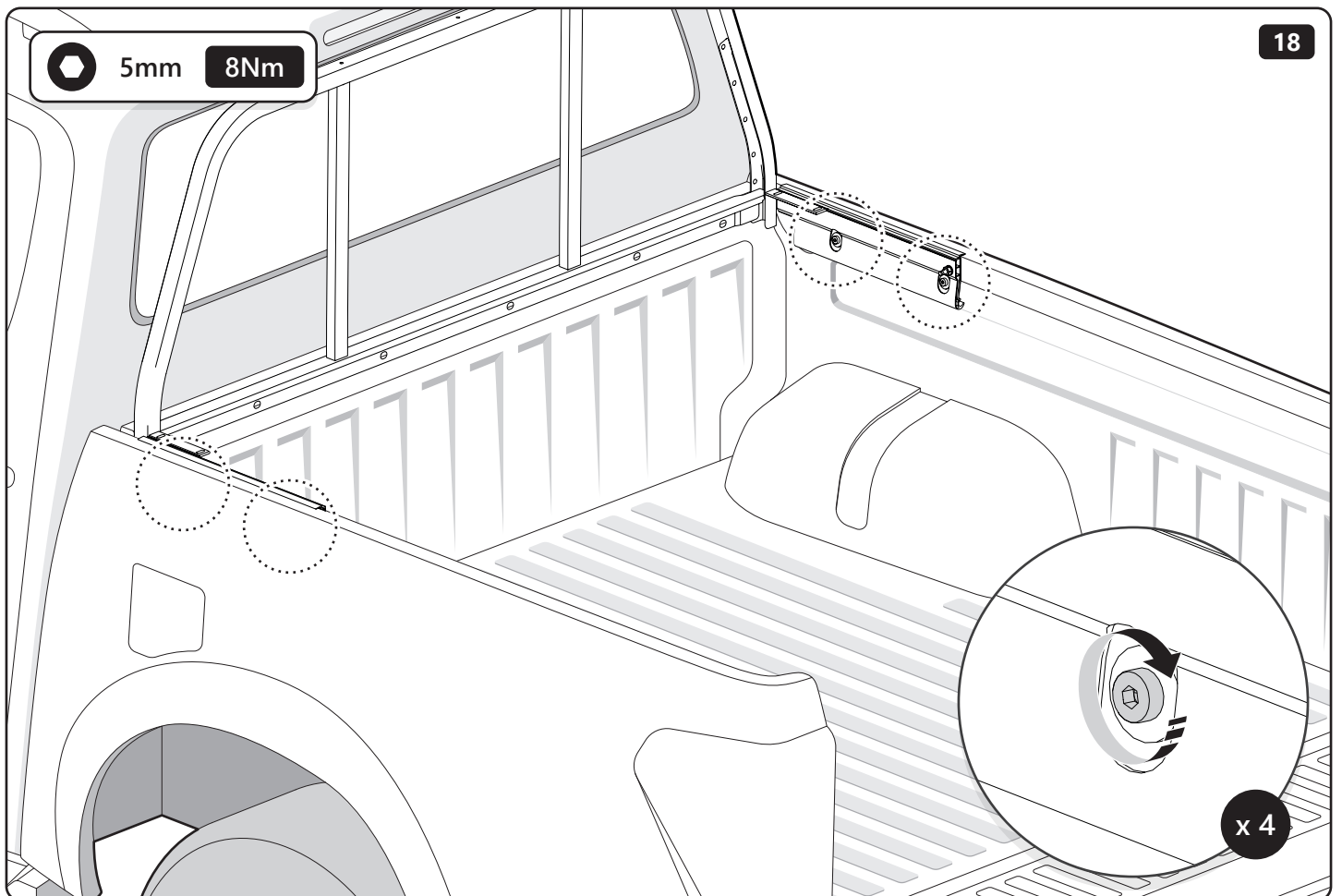
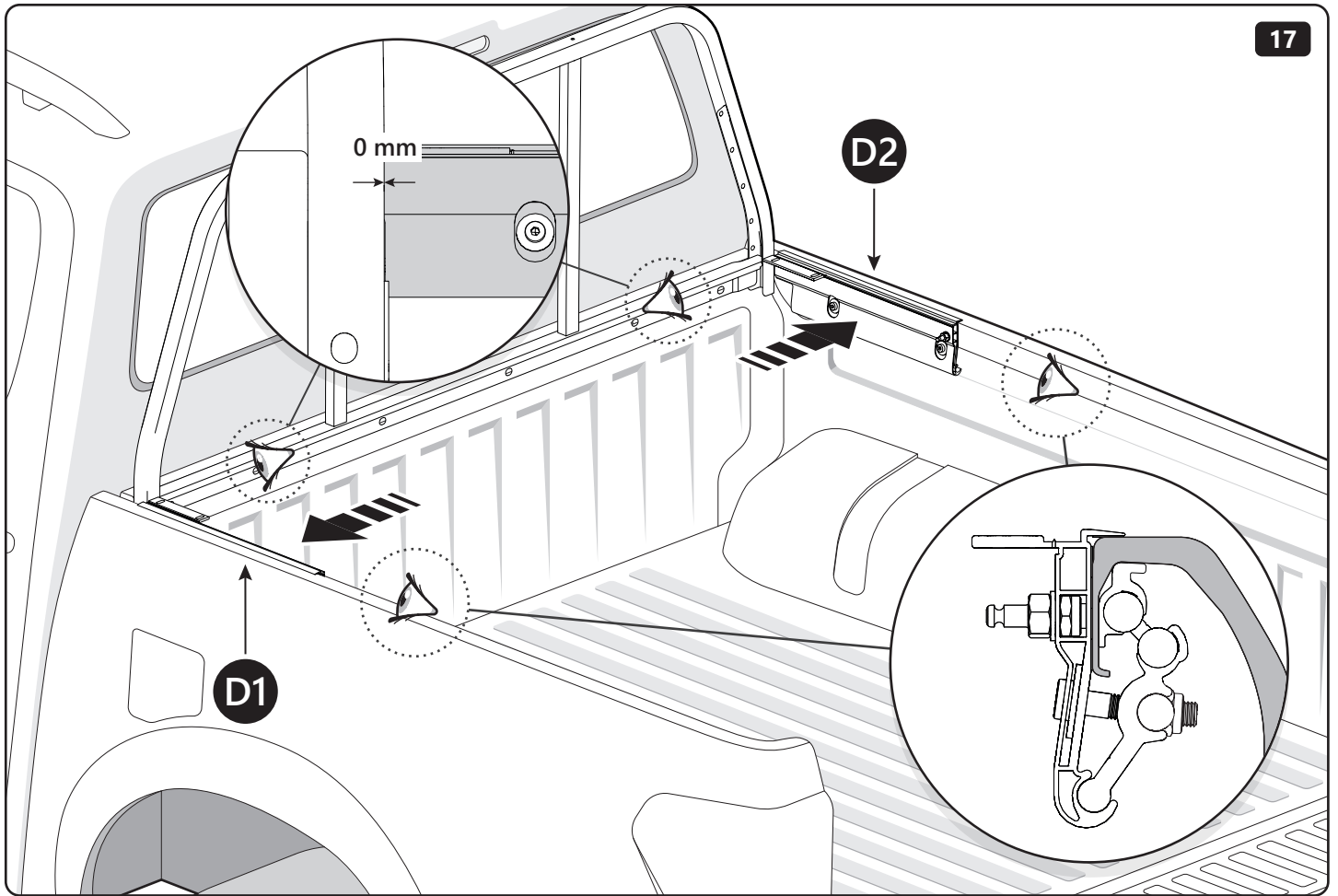


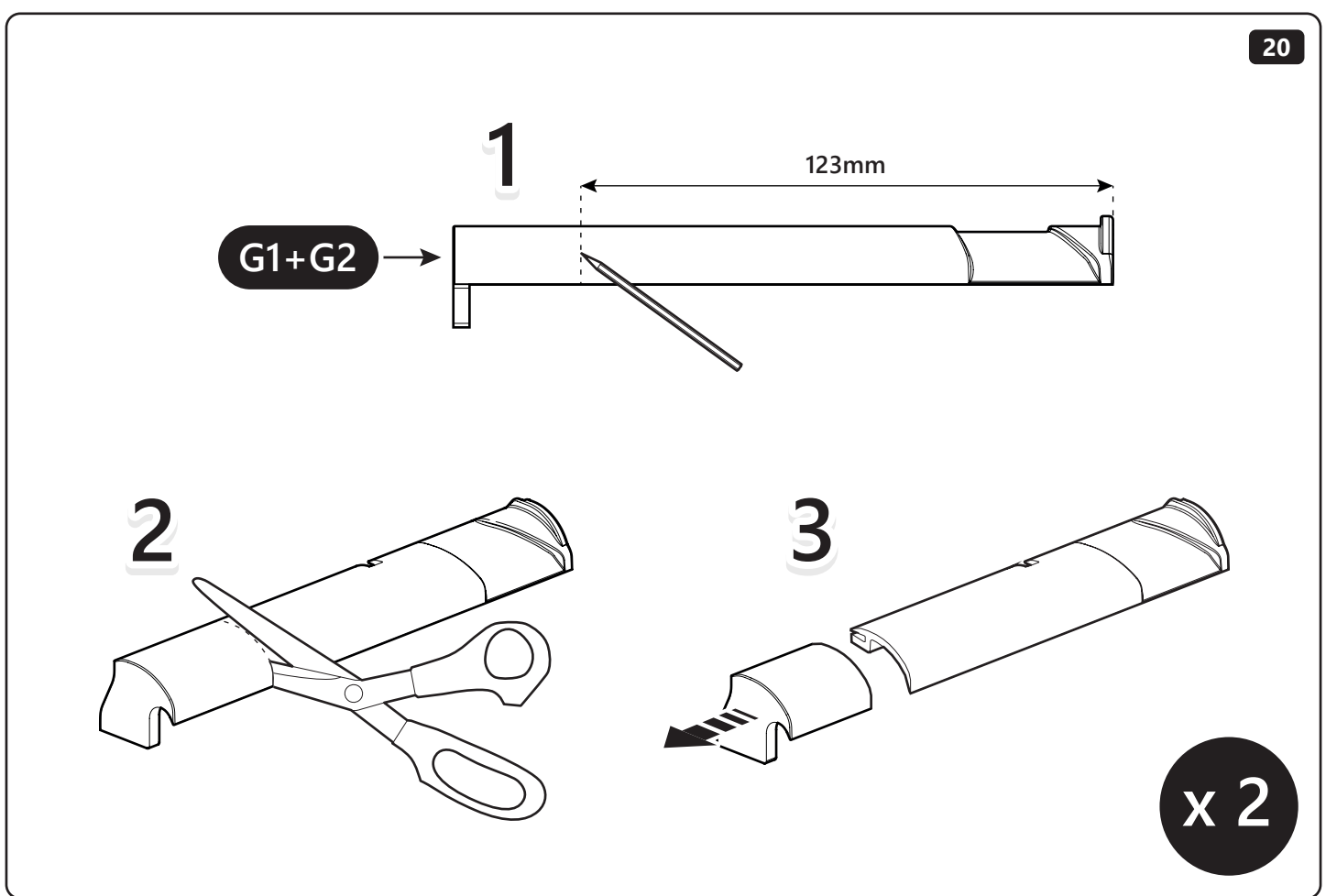
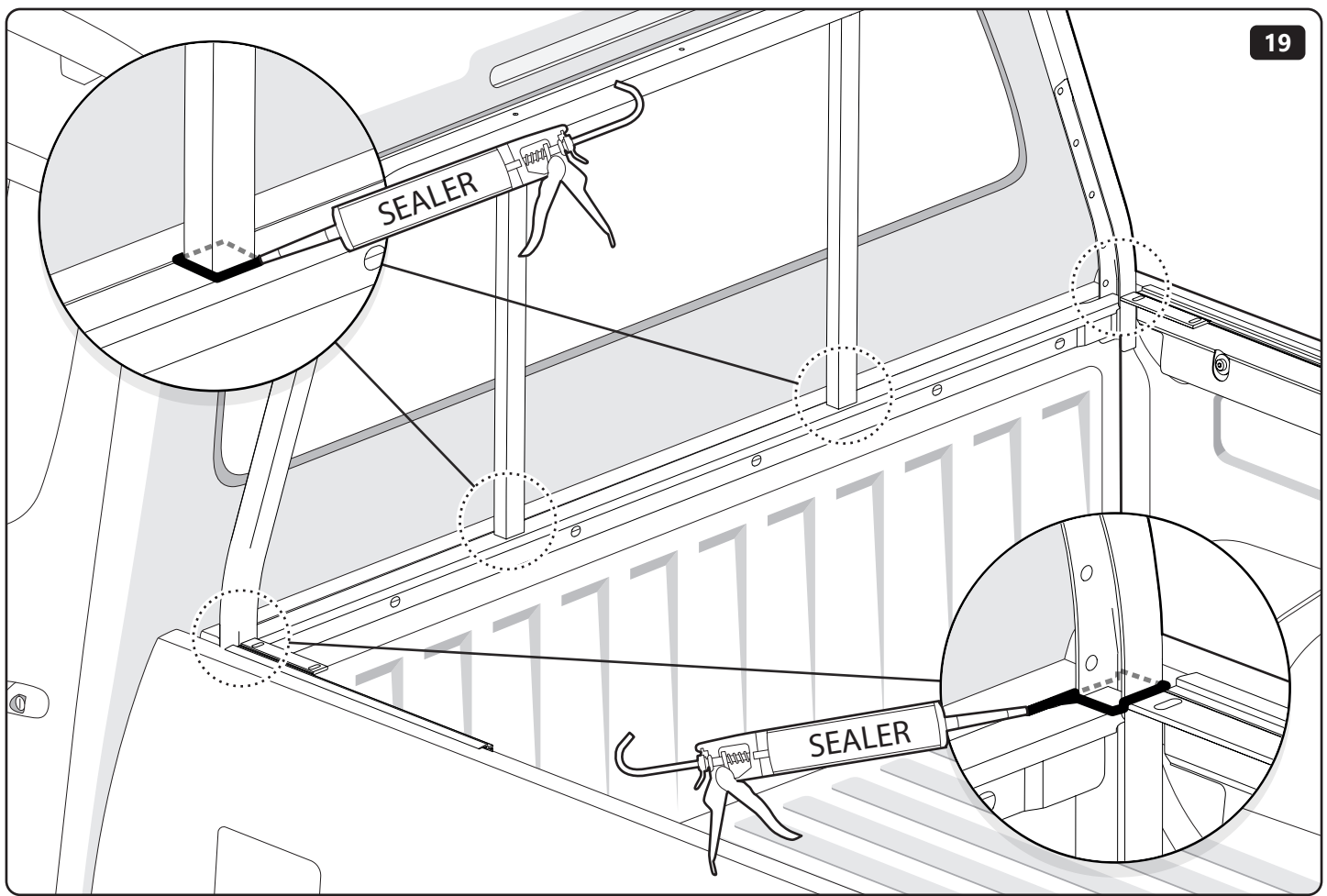
x 2

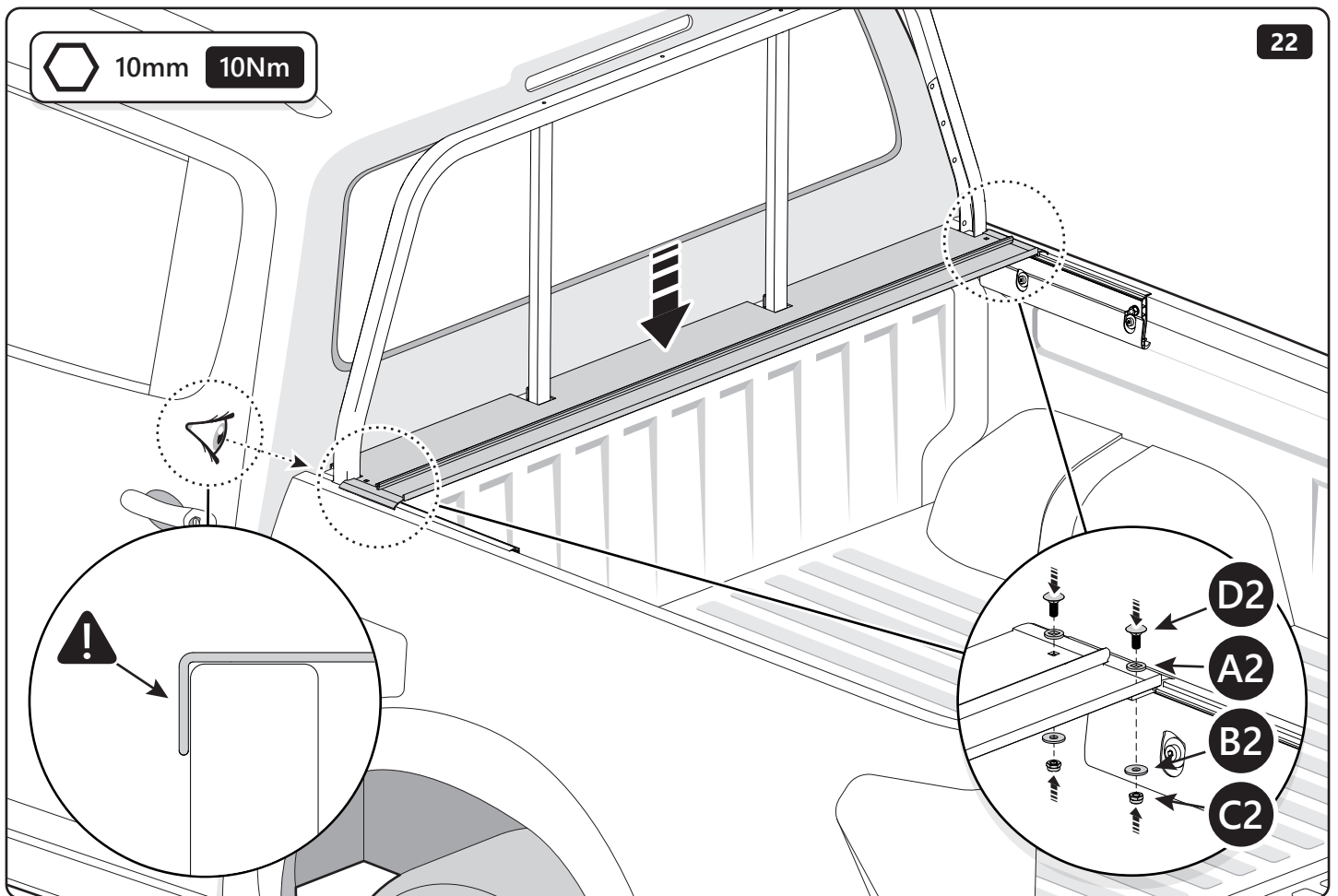
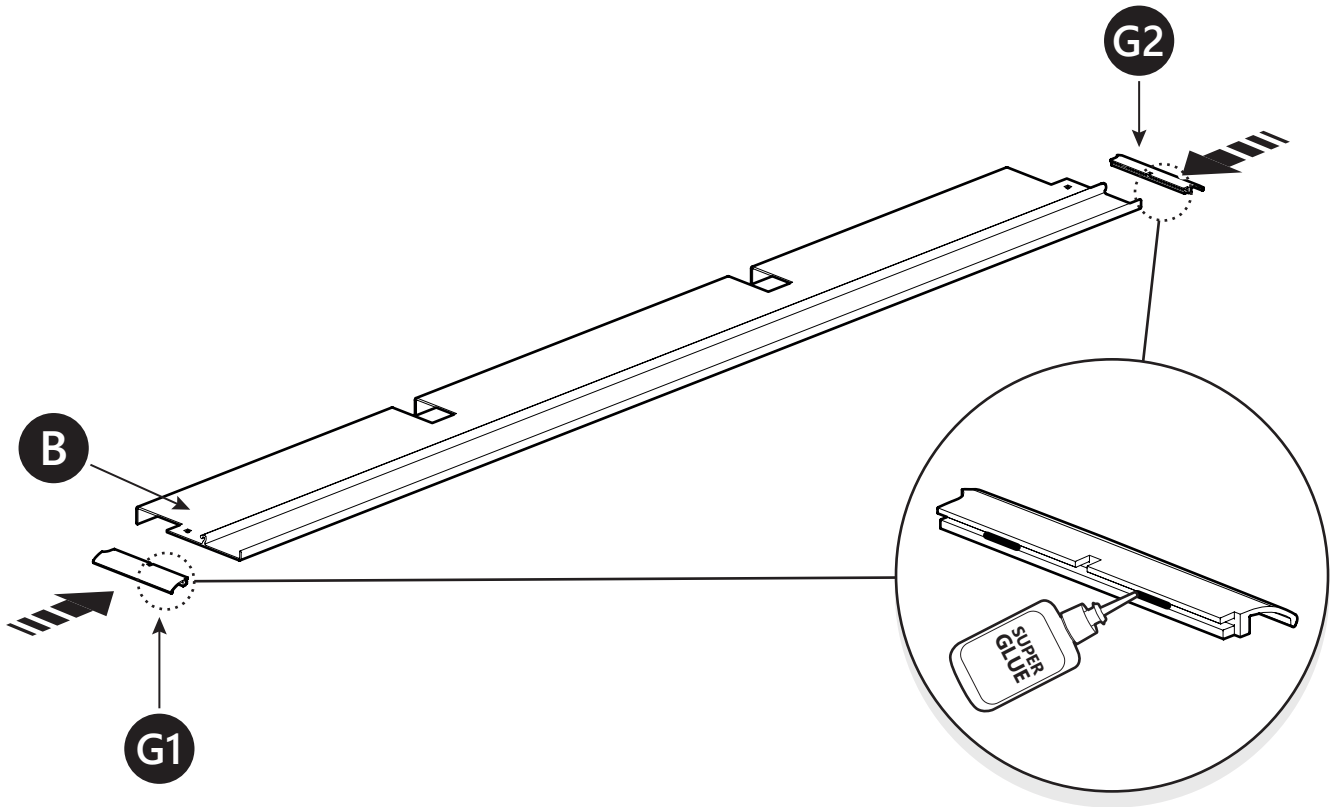


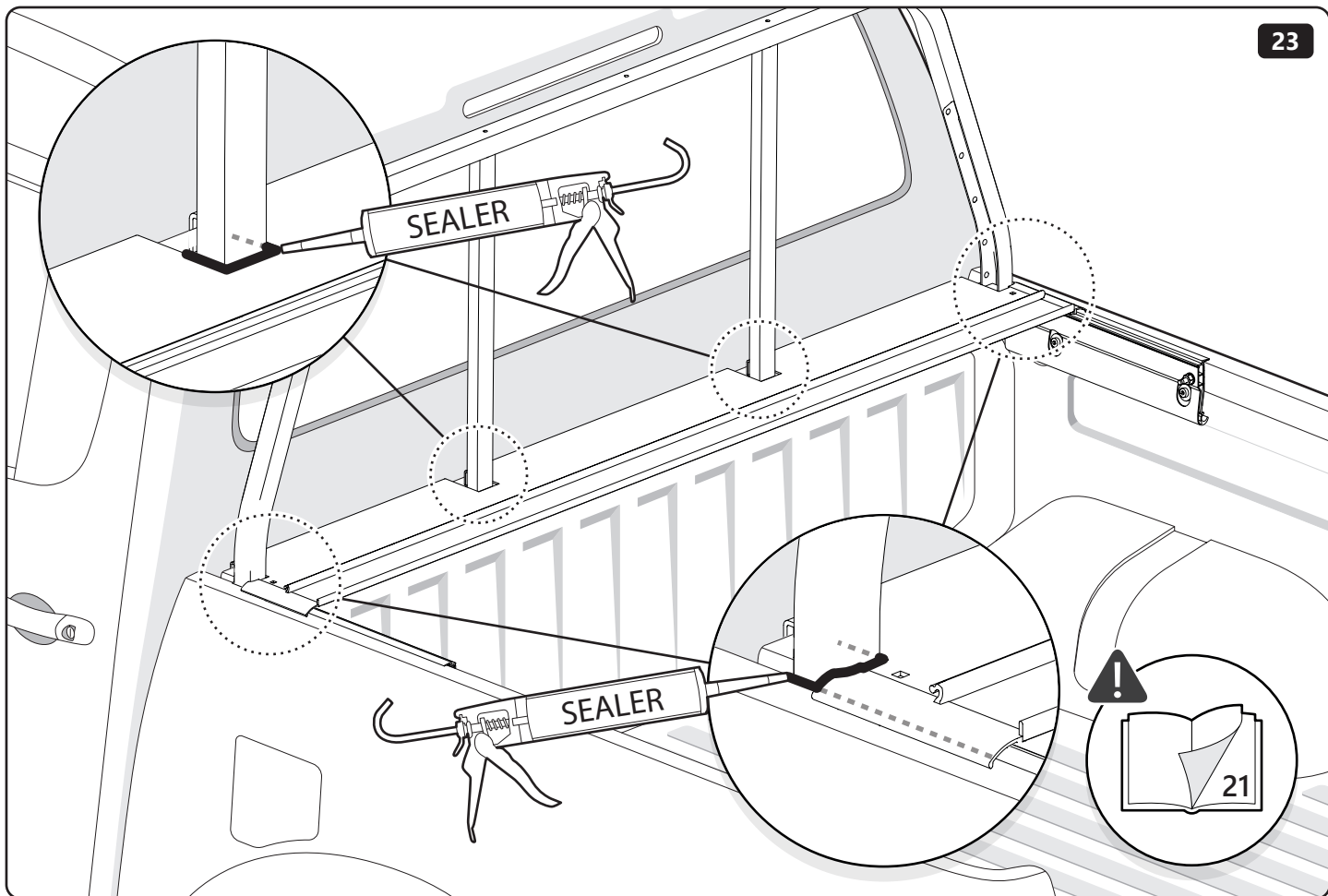


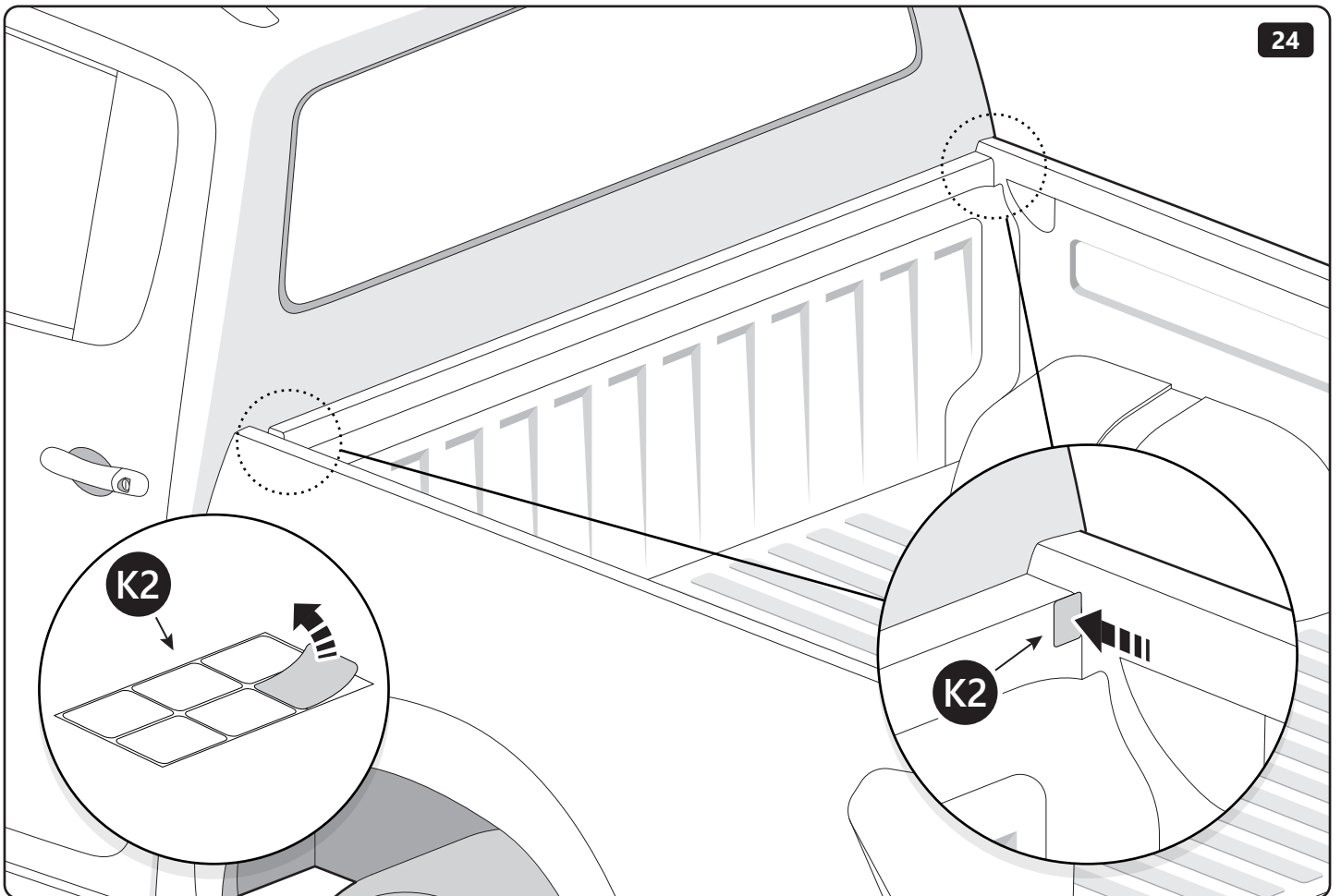
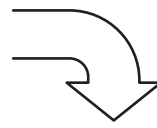
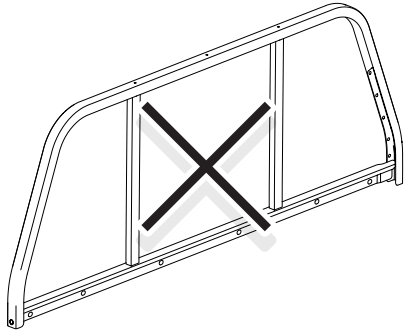
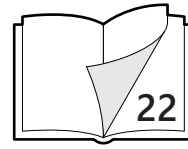
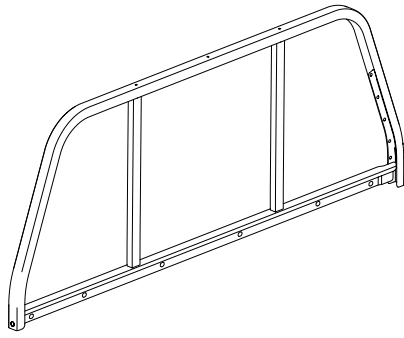


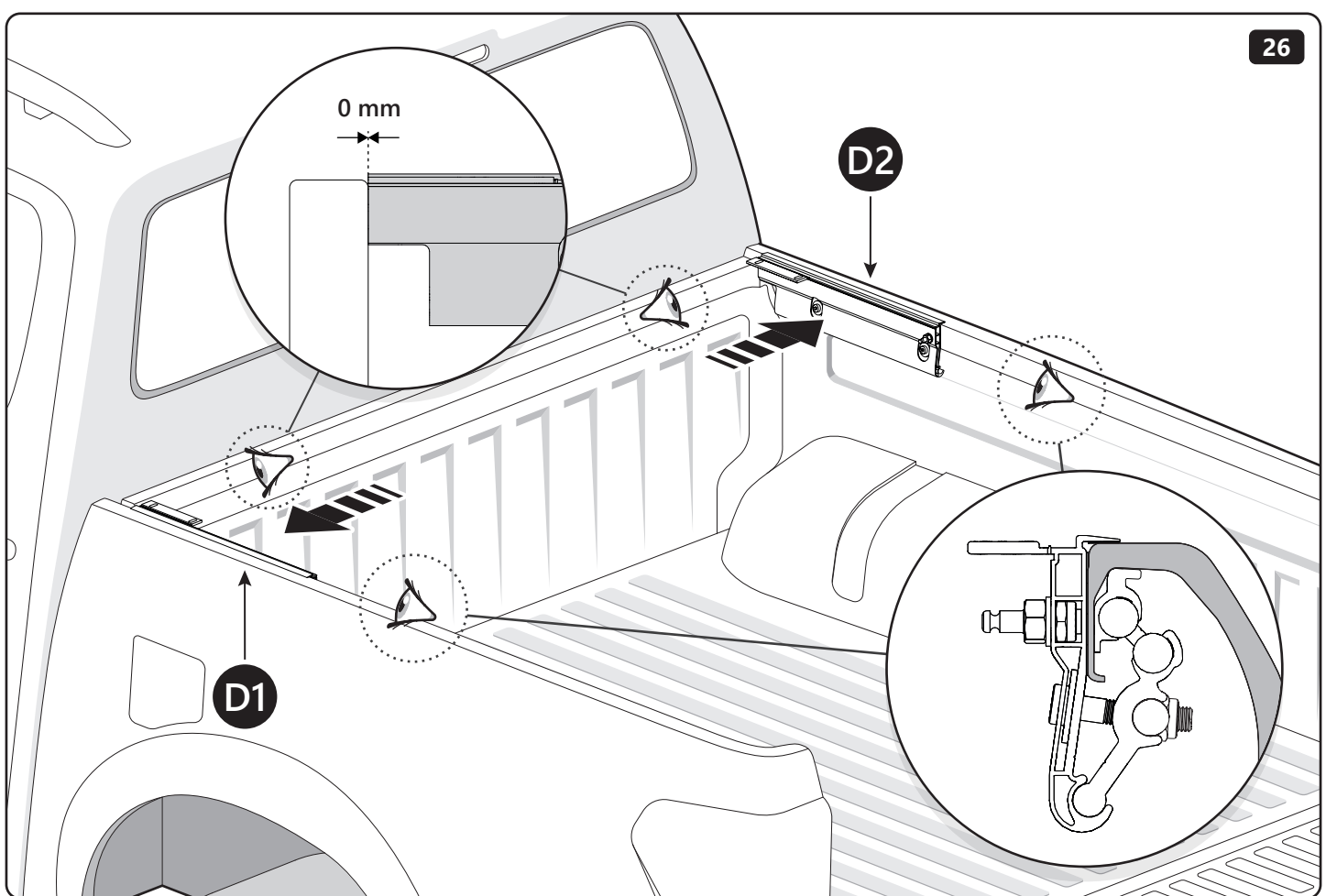
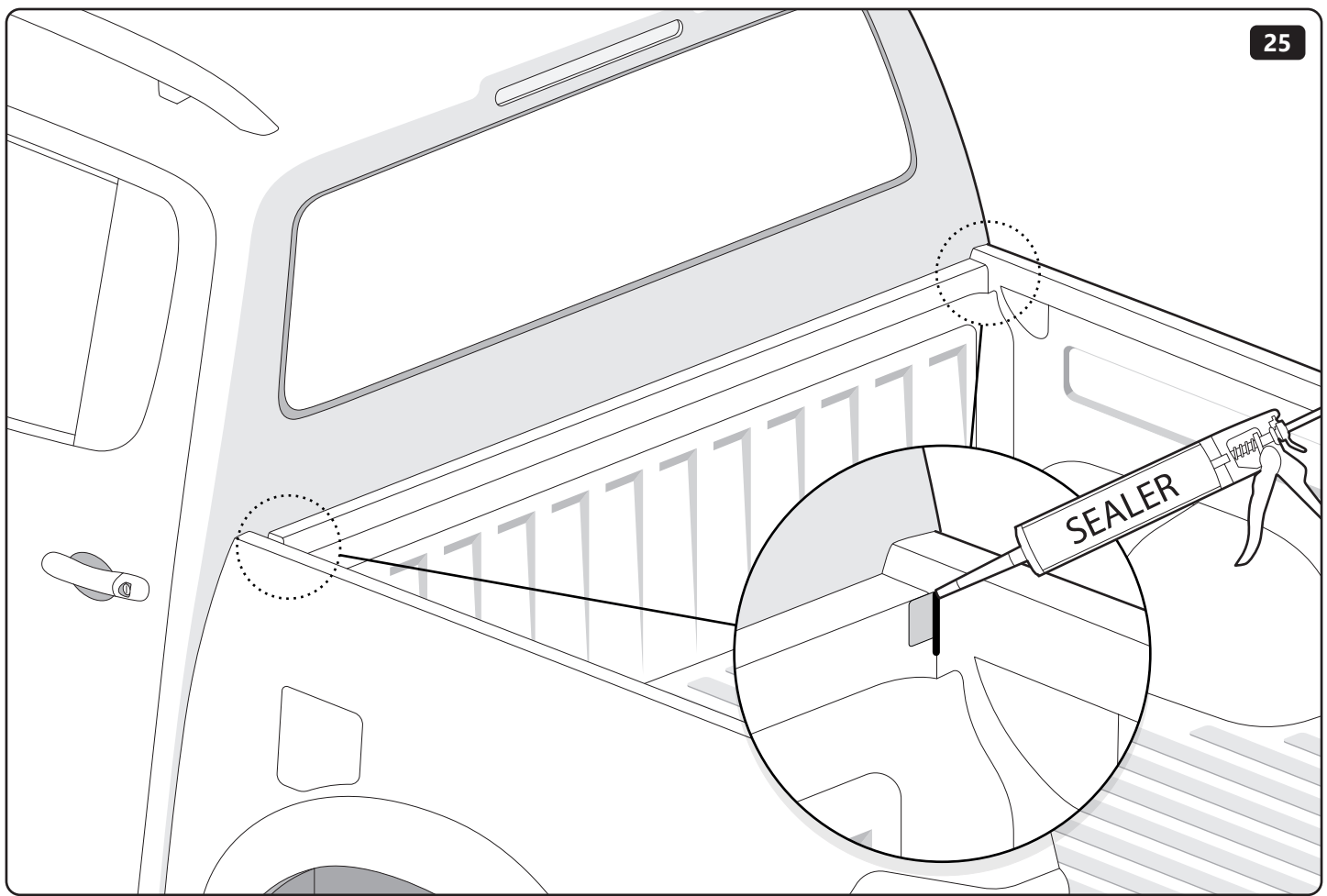


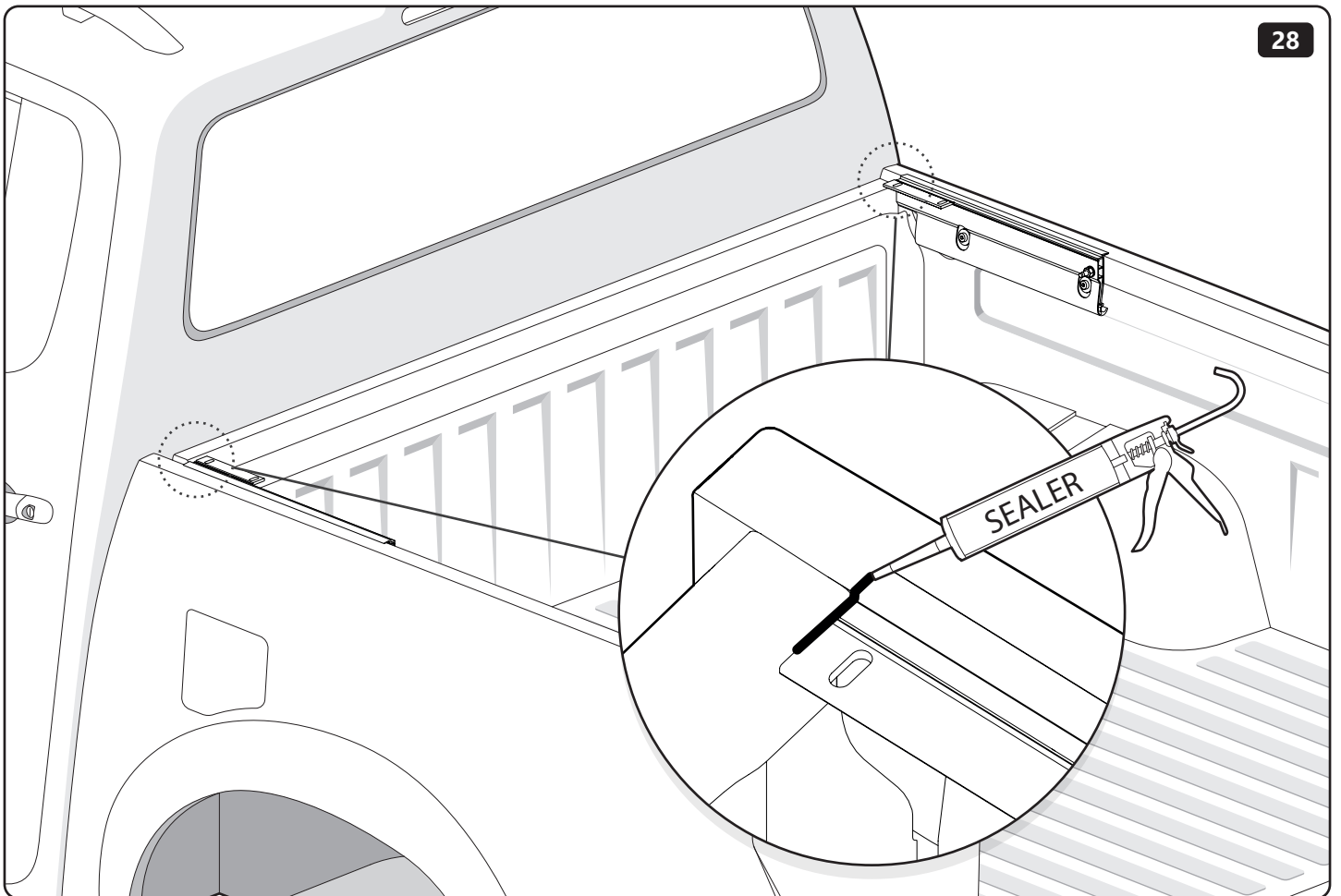
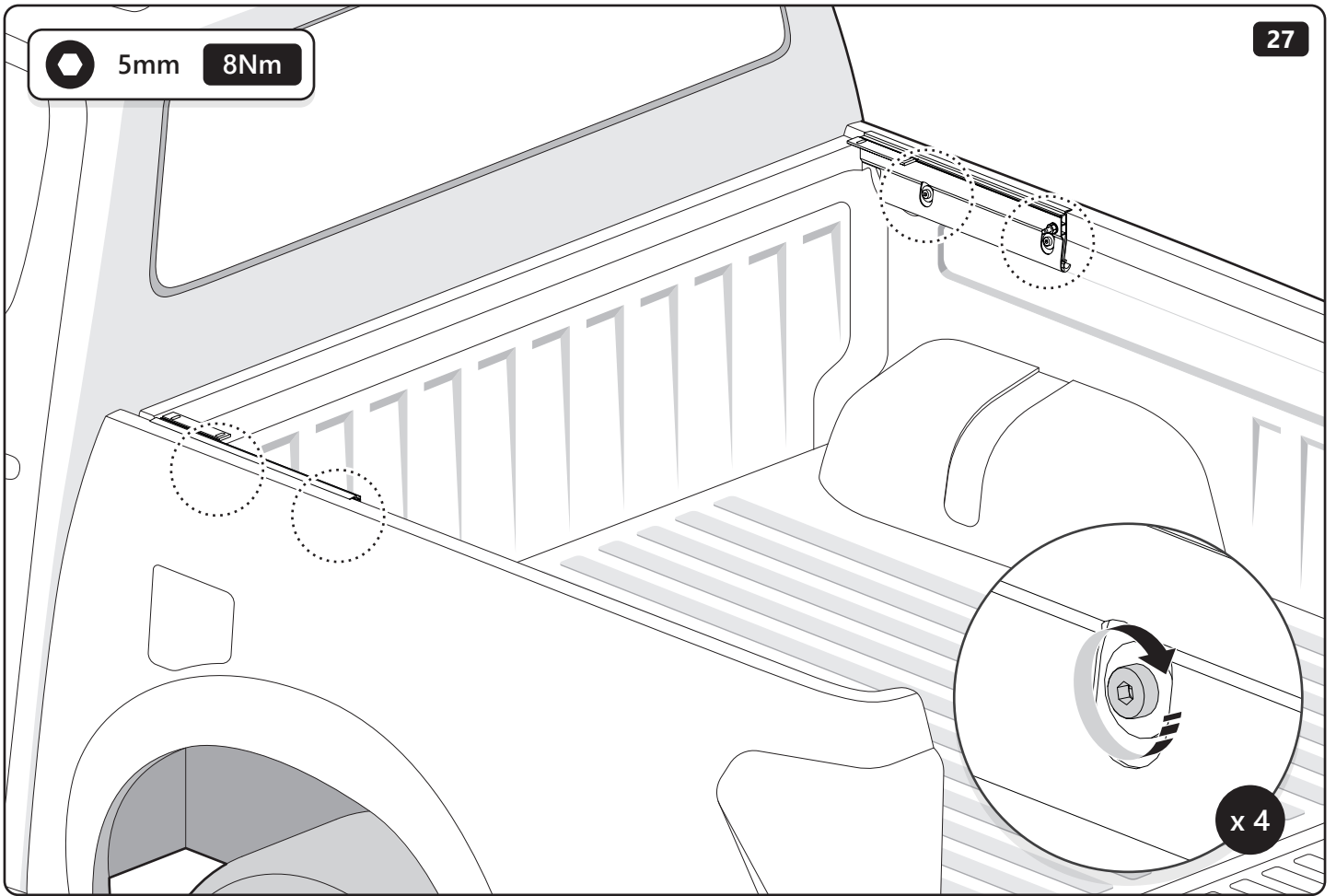


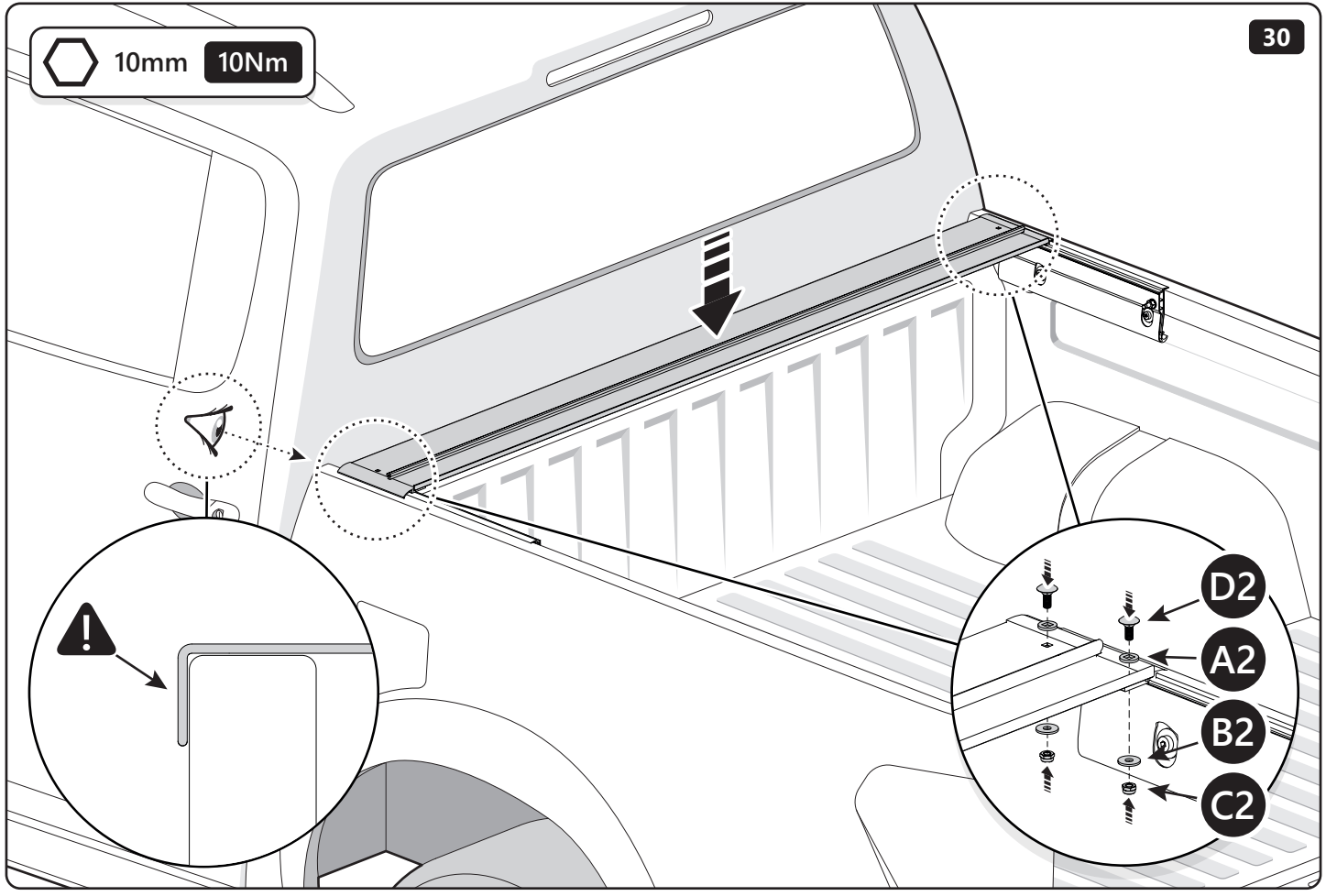
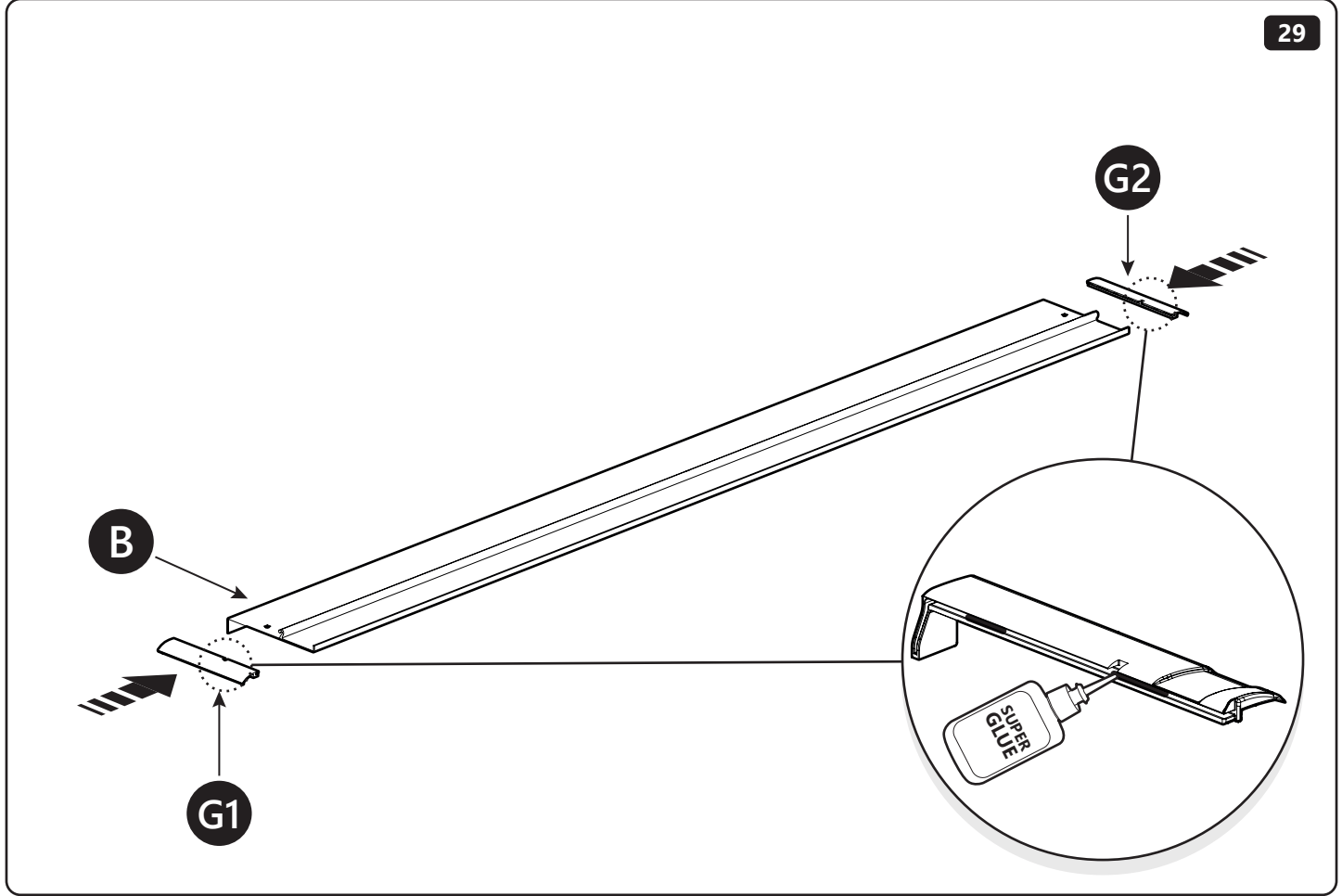




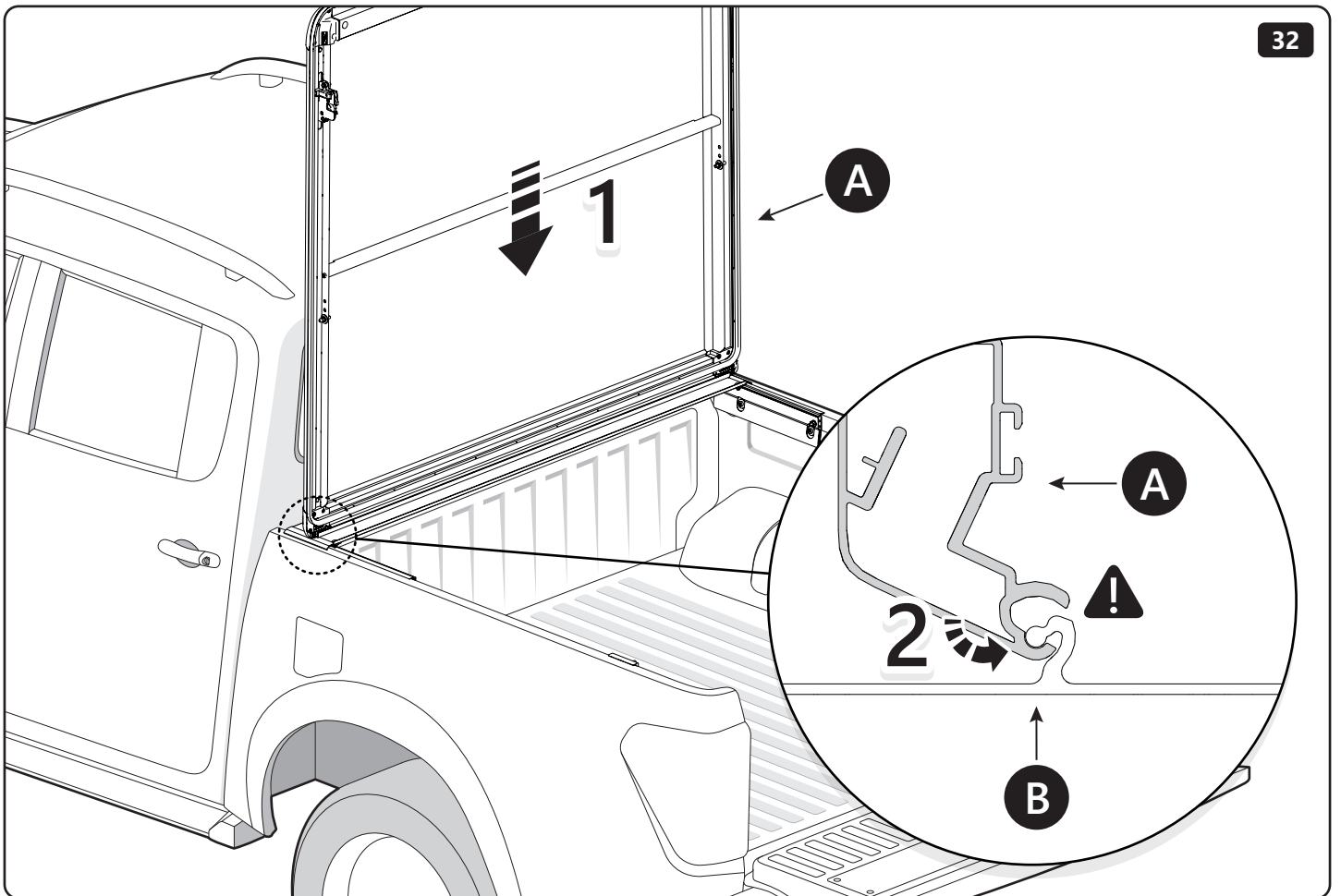
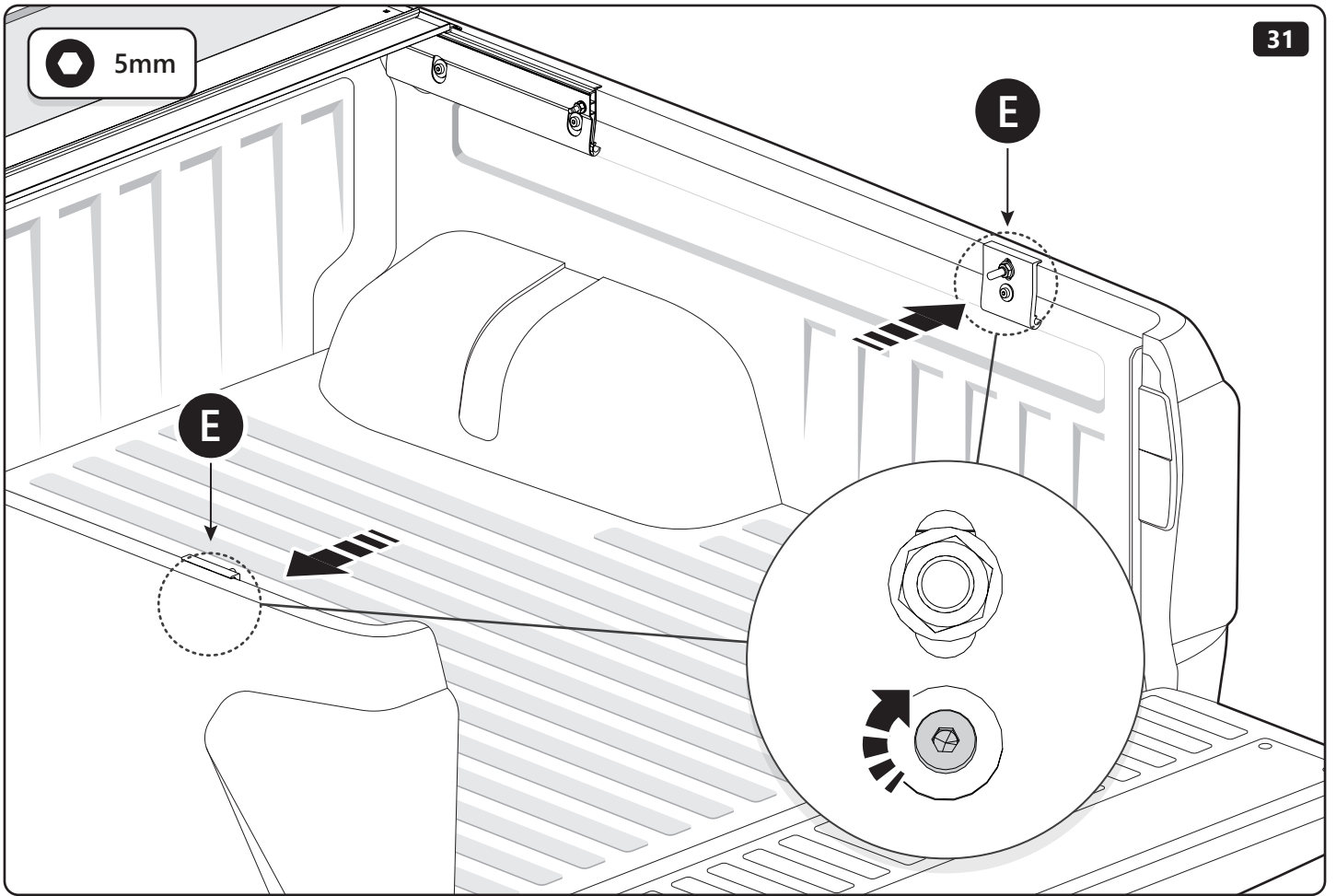


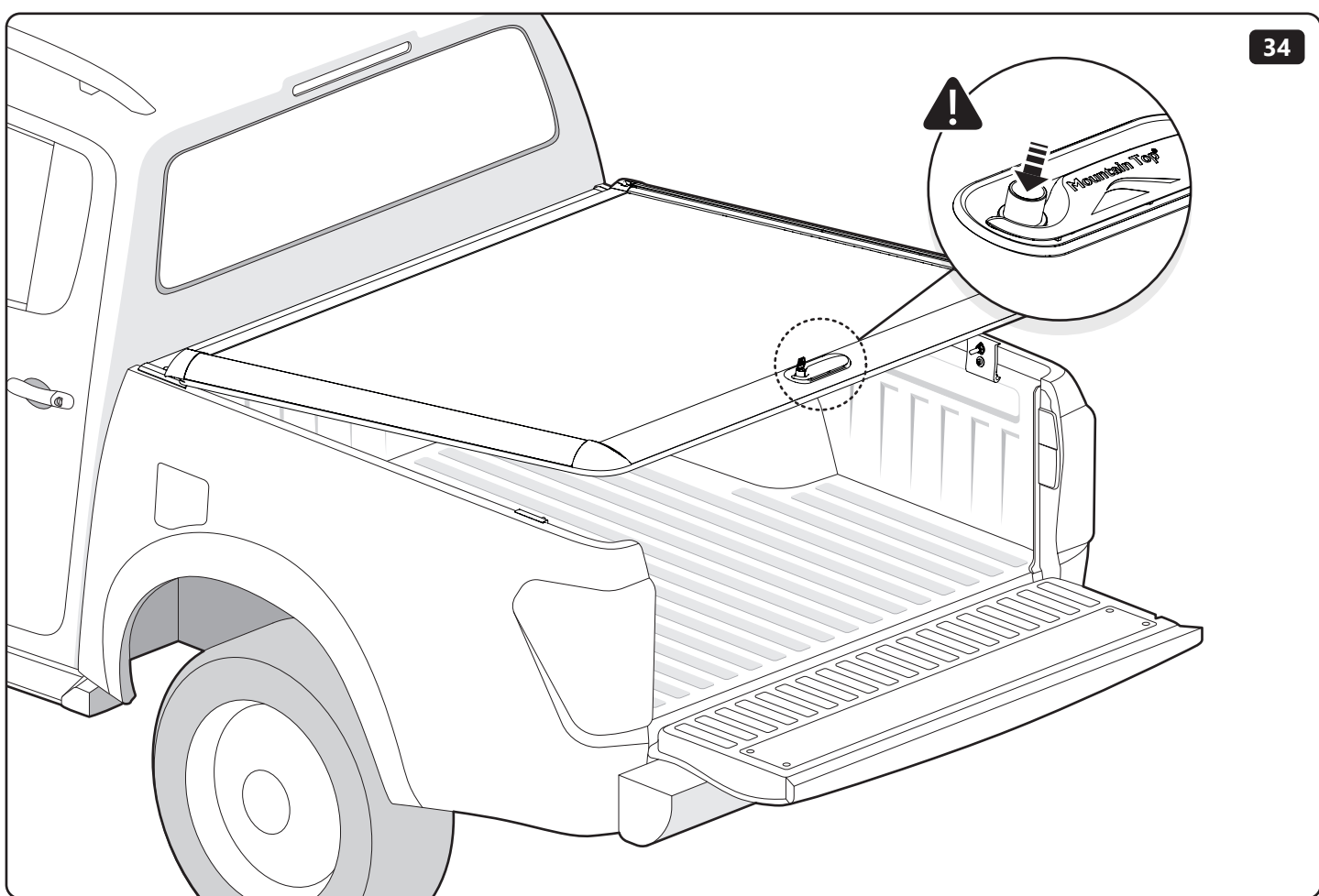
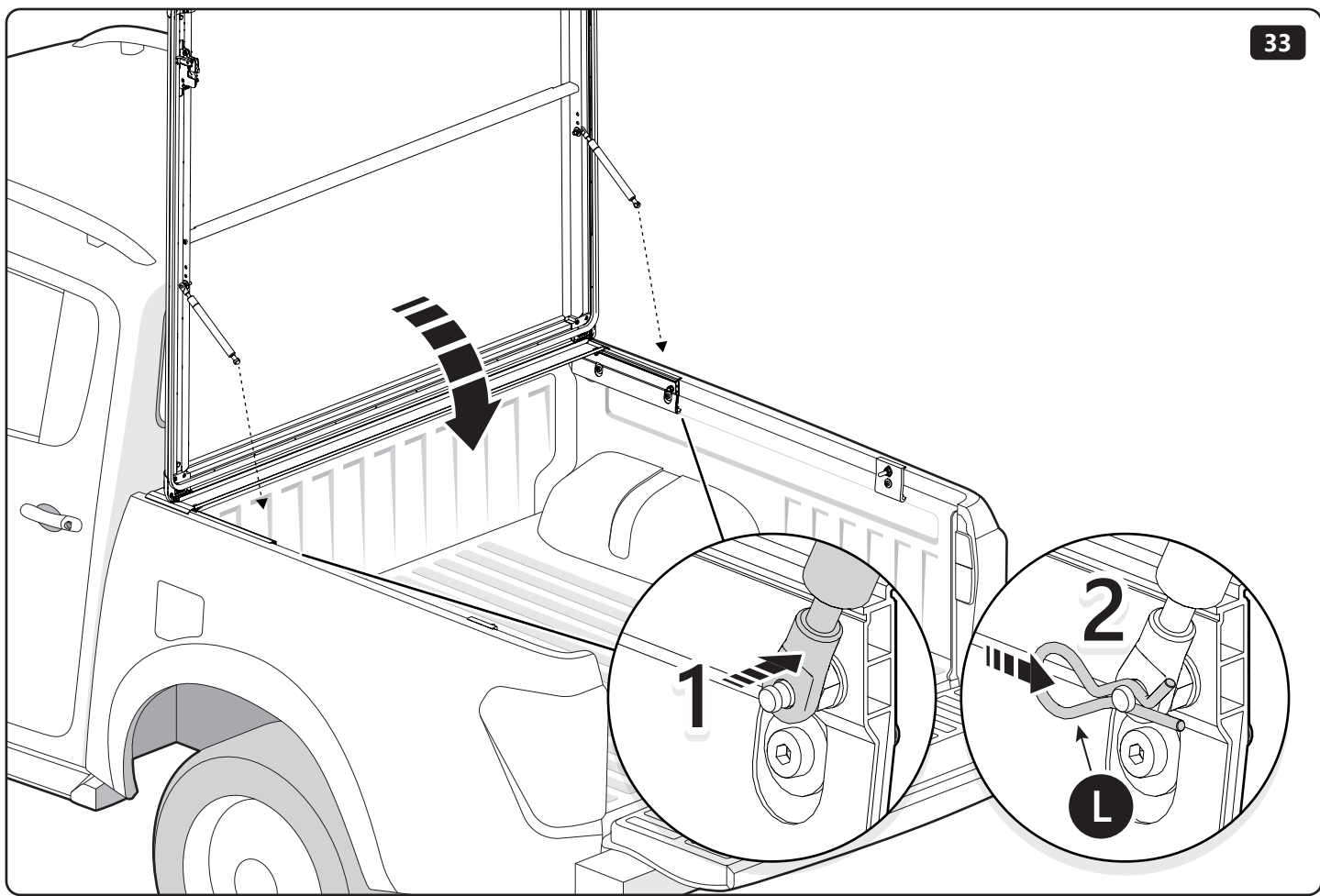




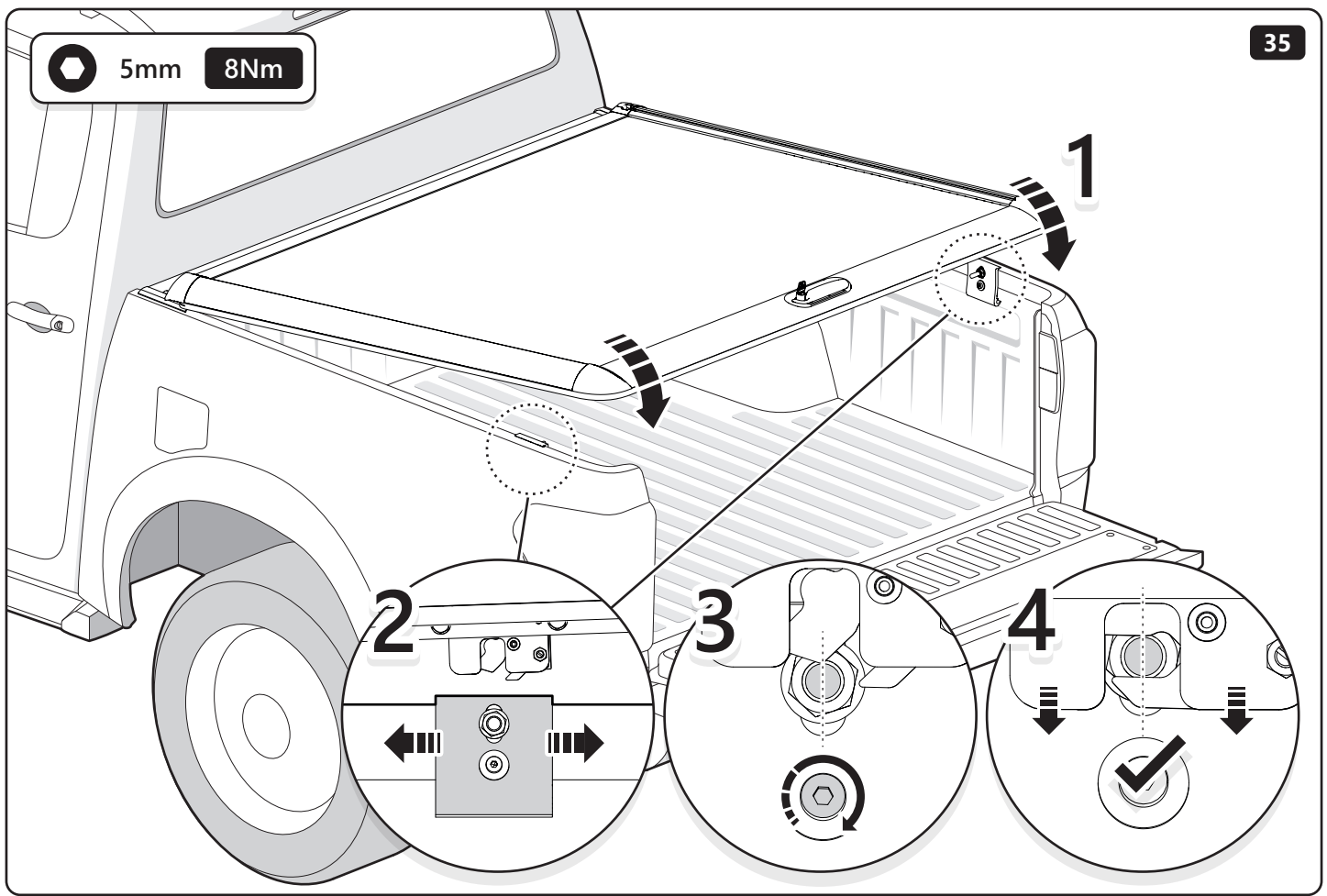




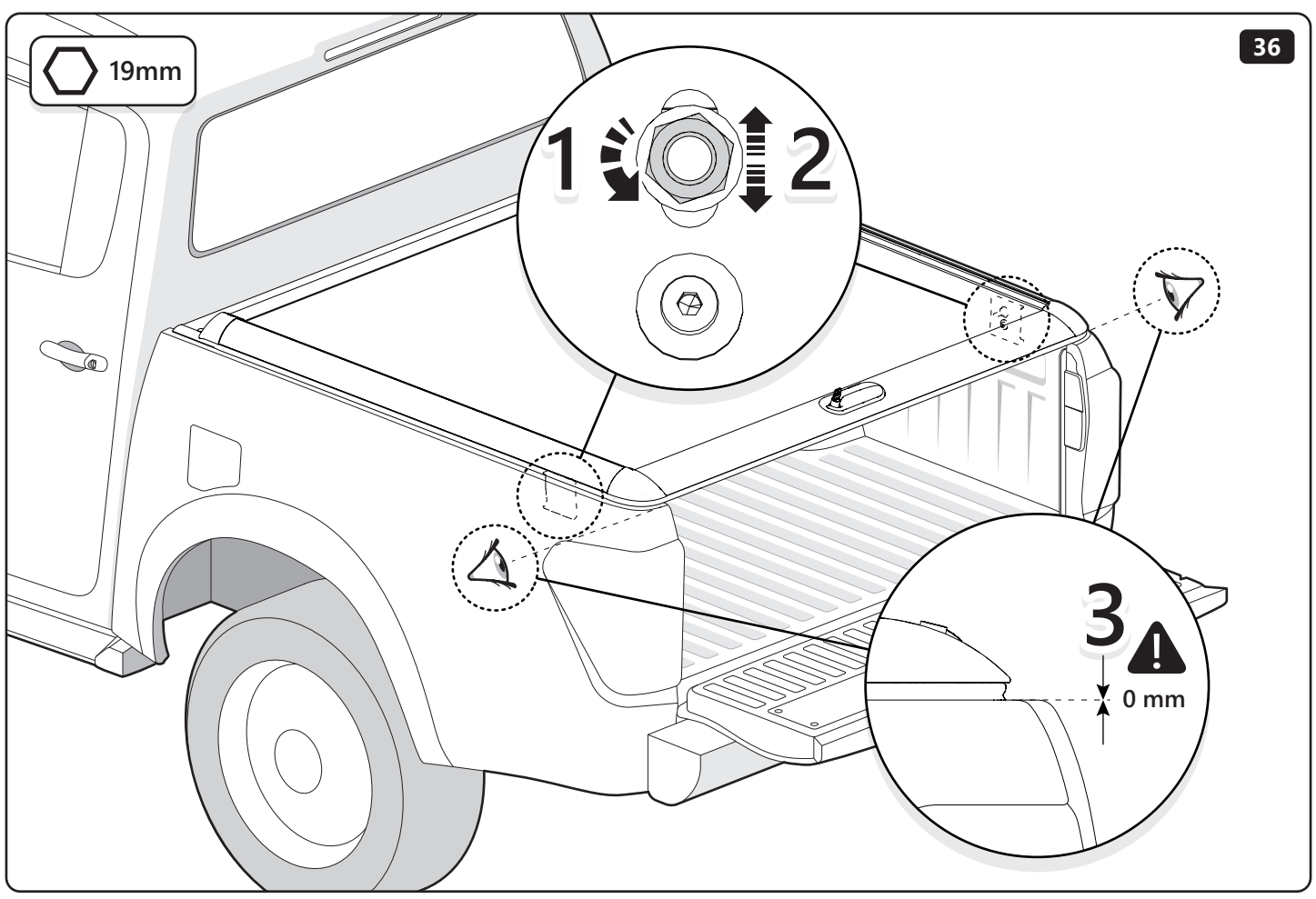


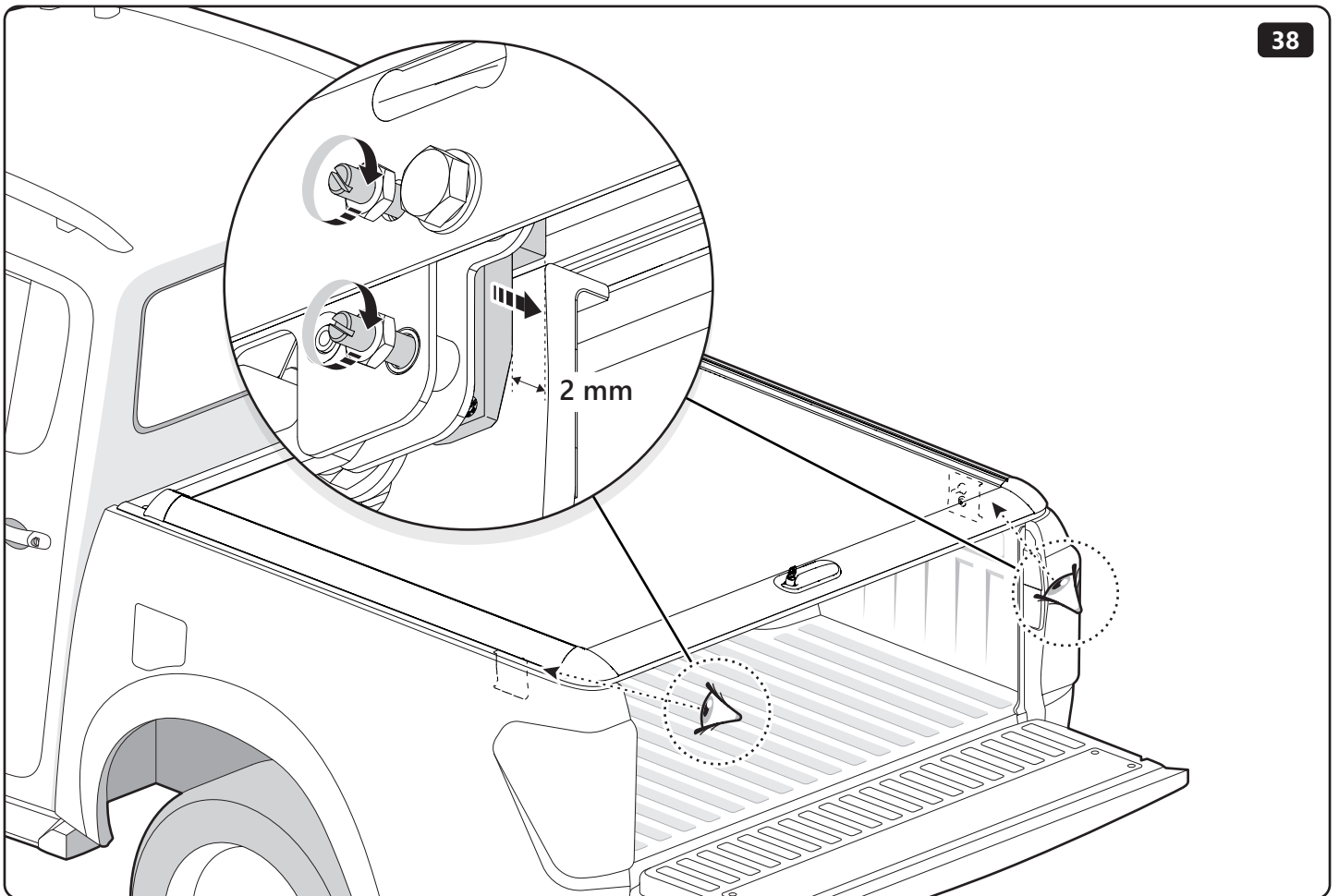
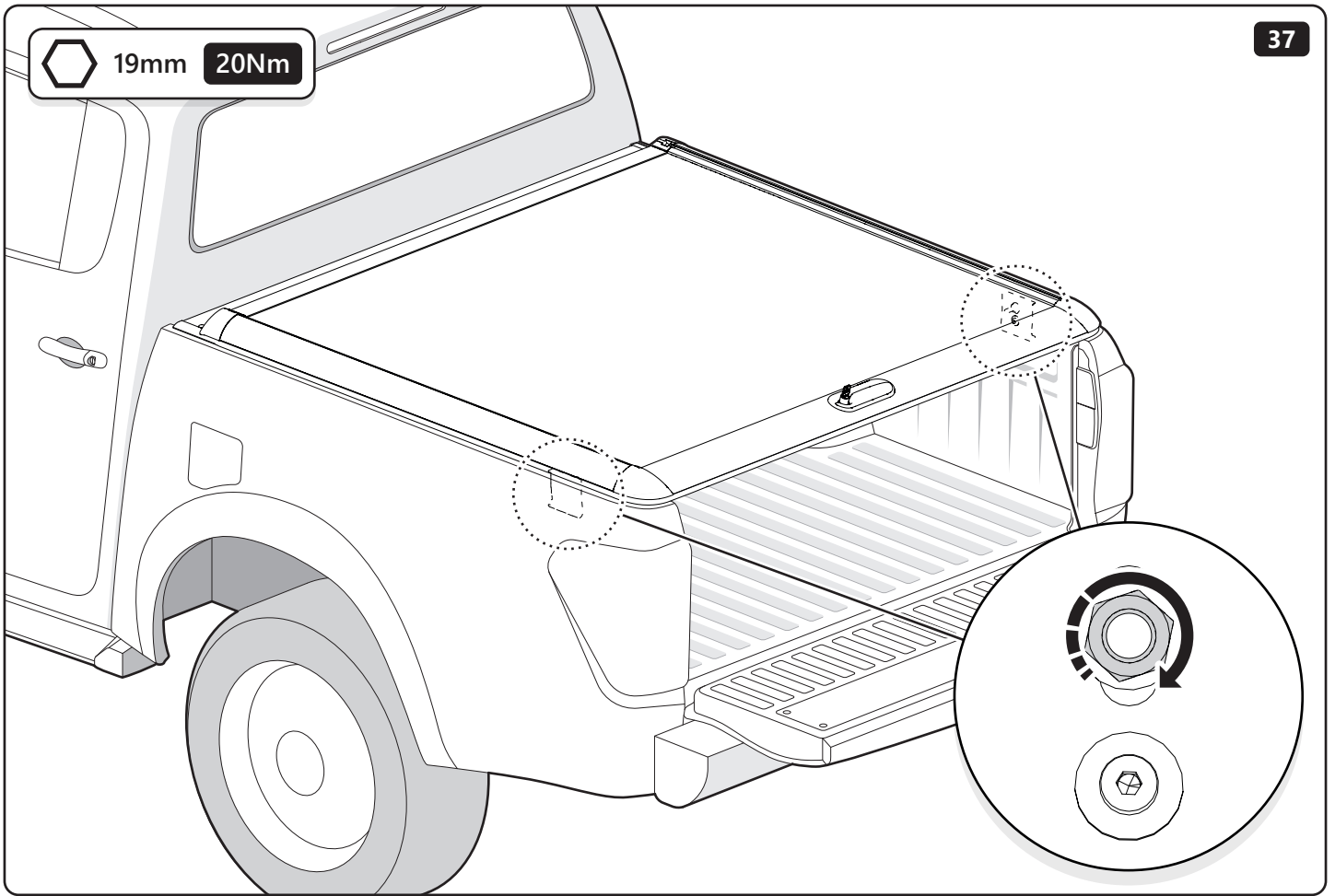


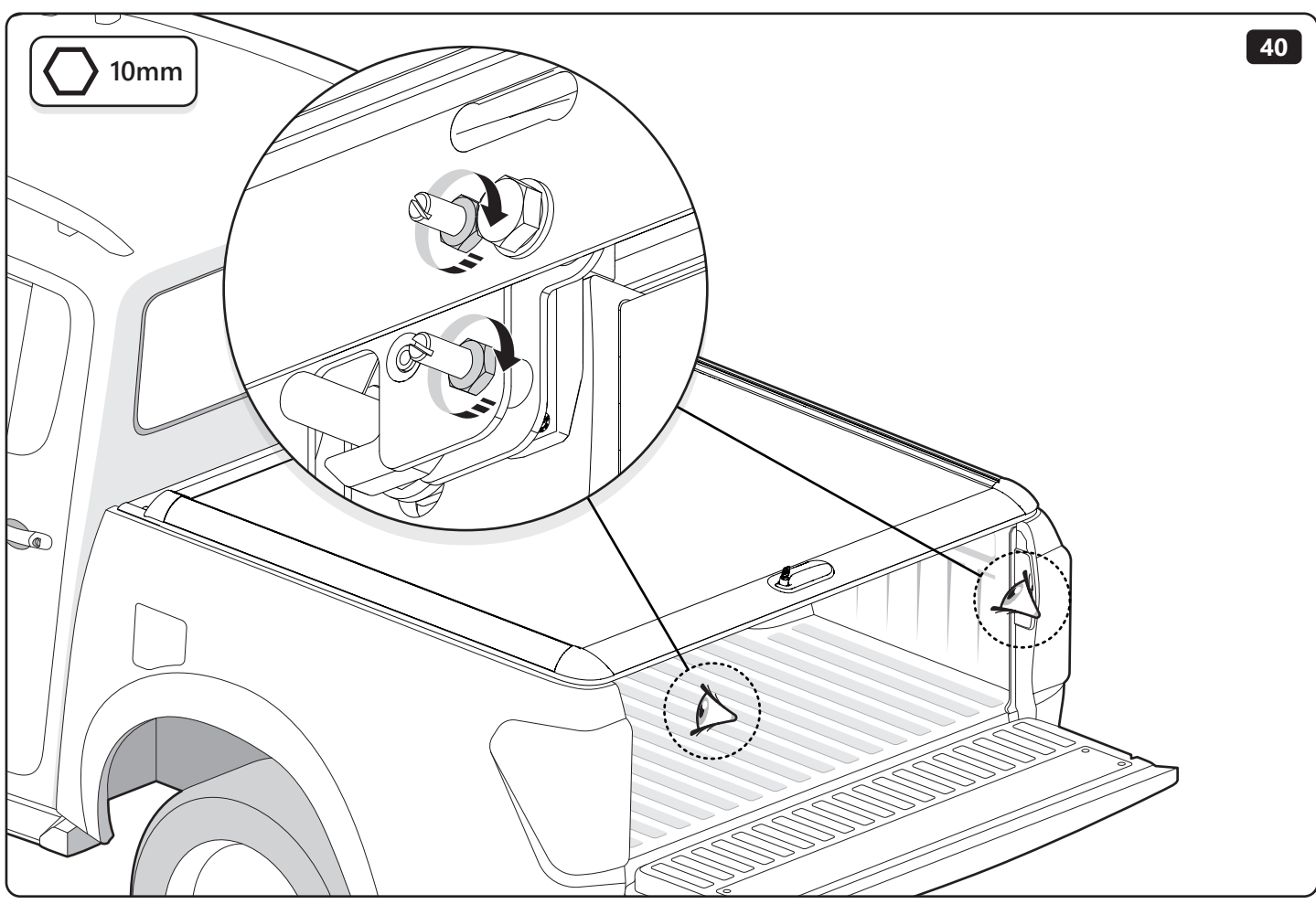
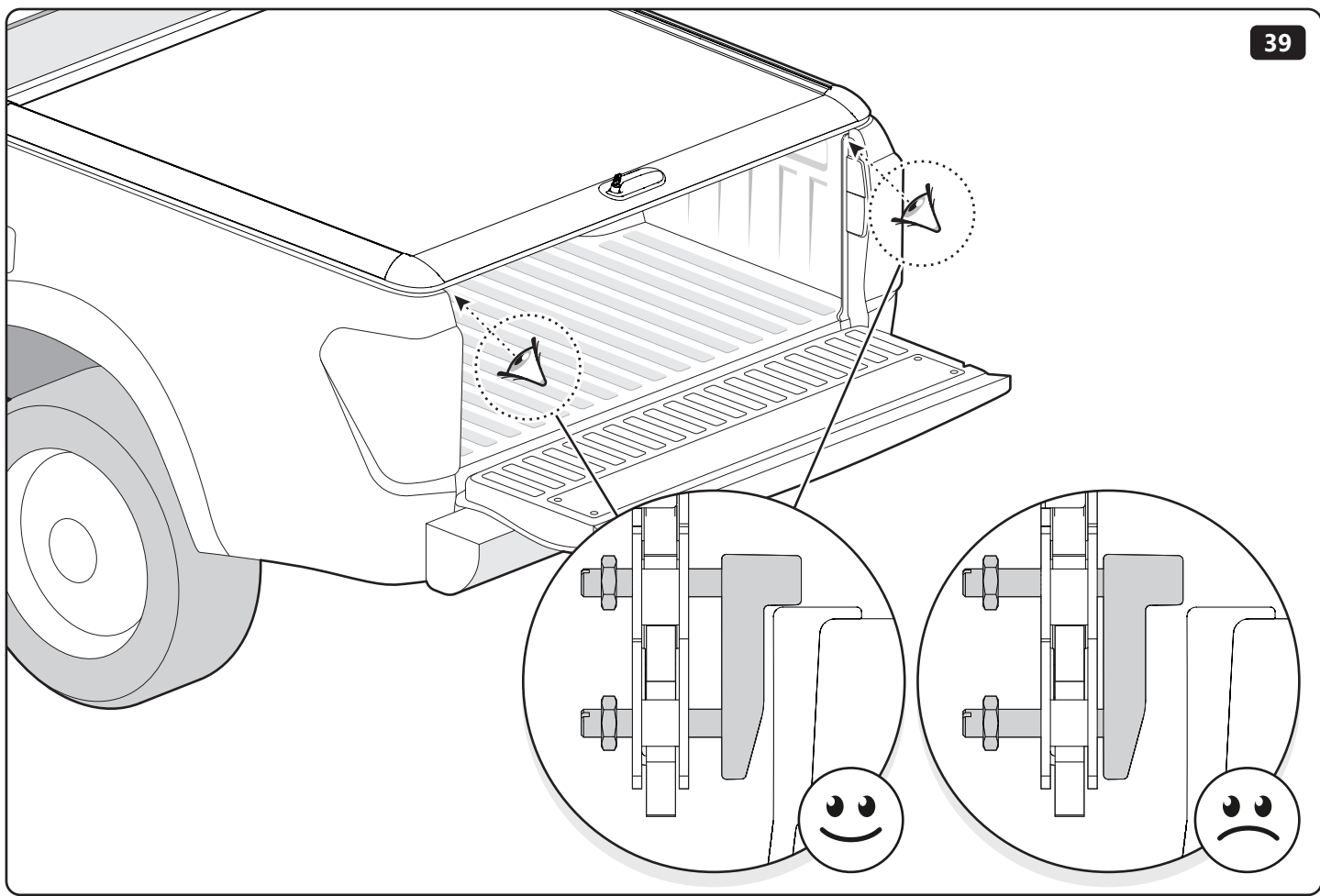
5mm 8Nm

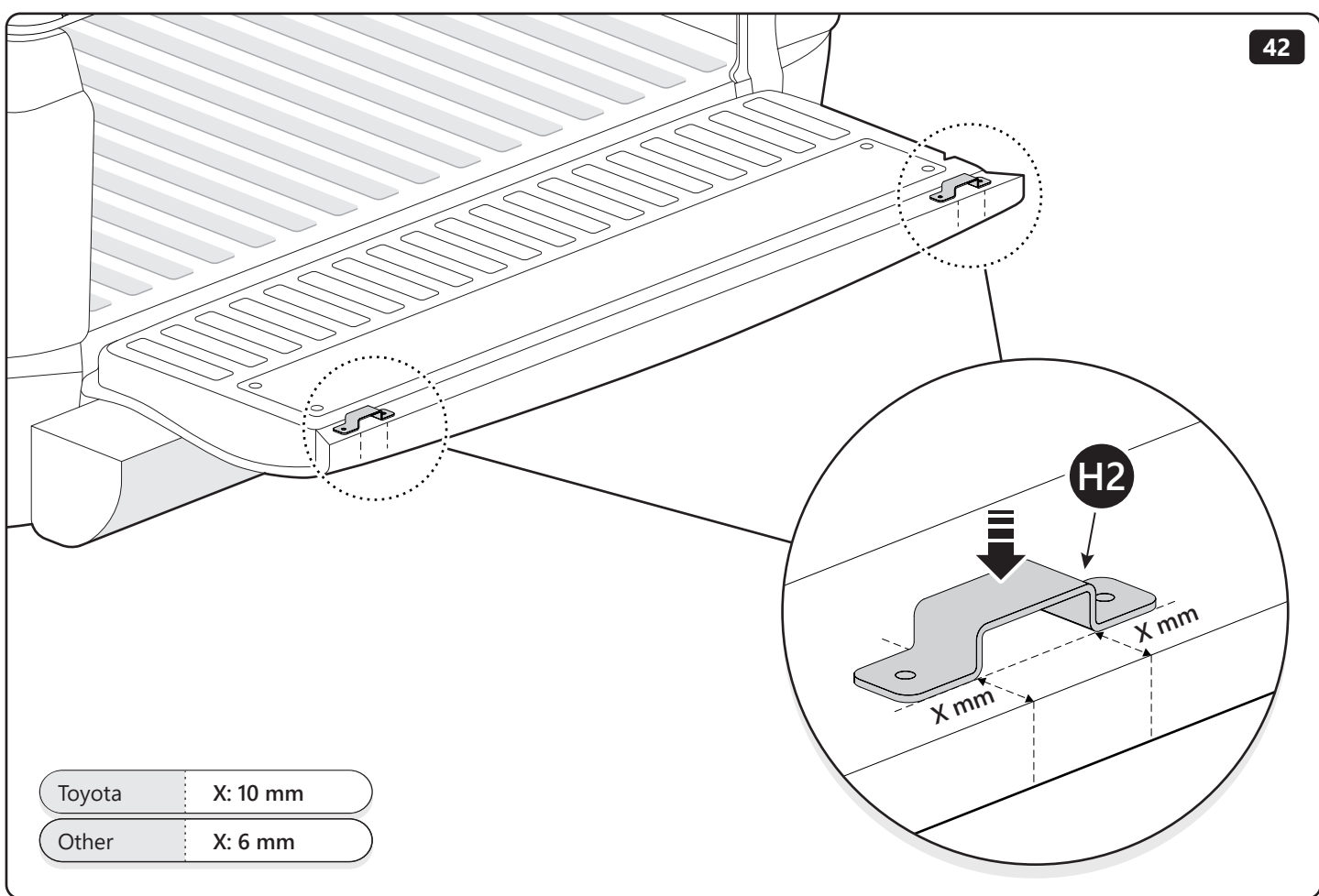
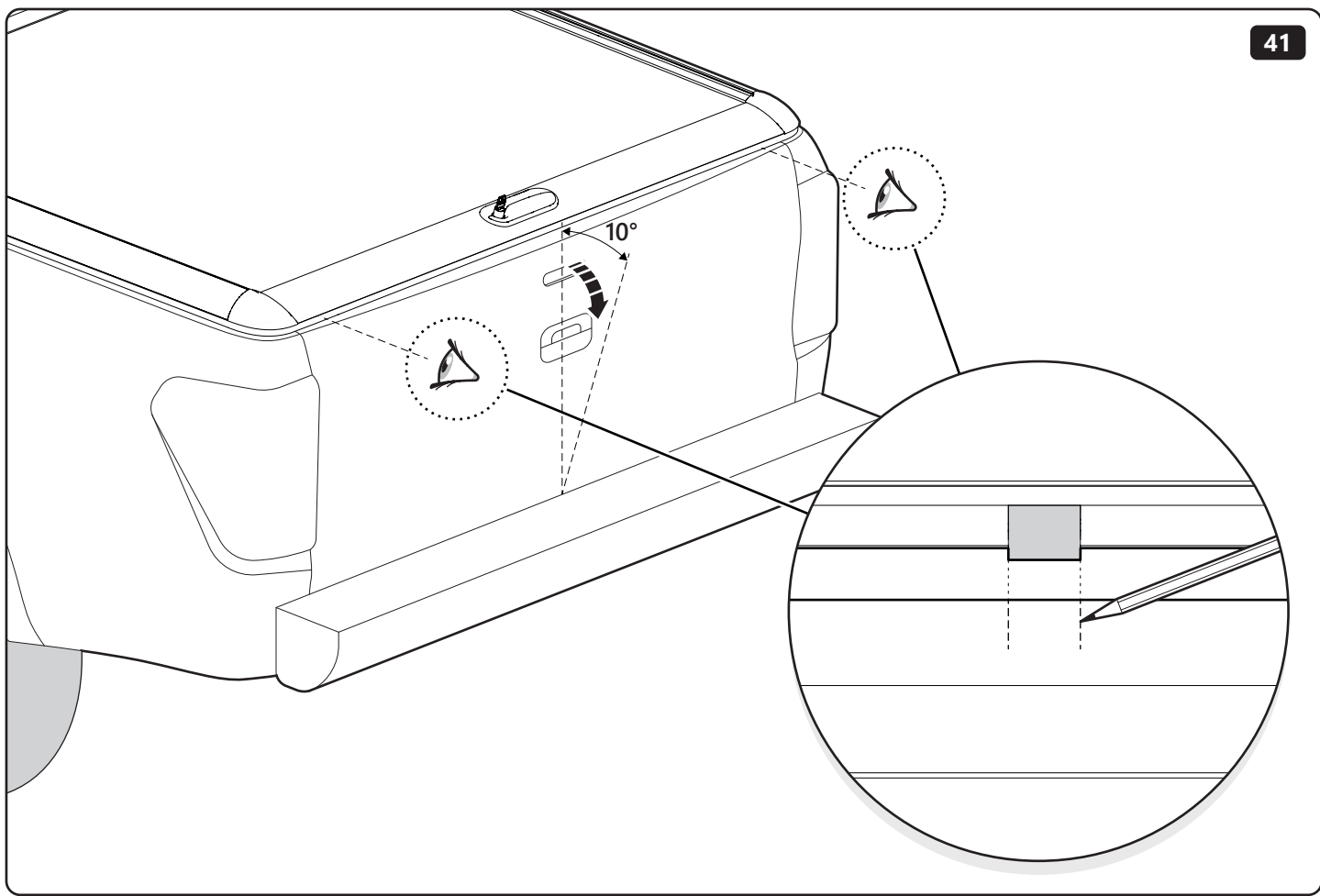


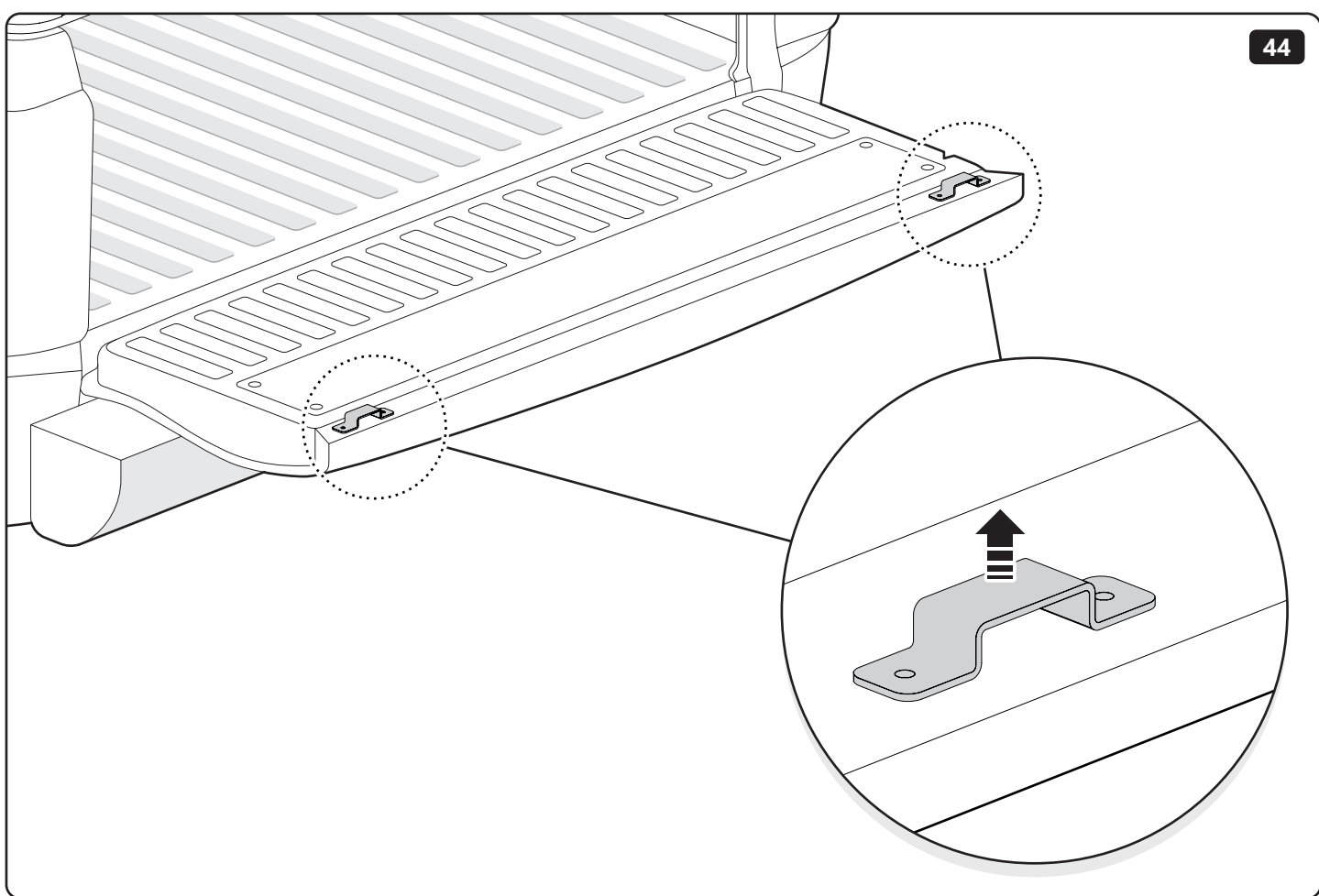
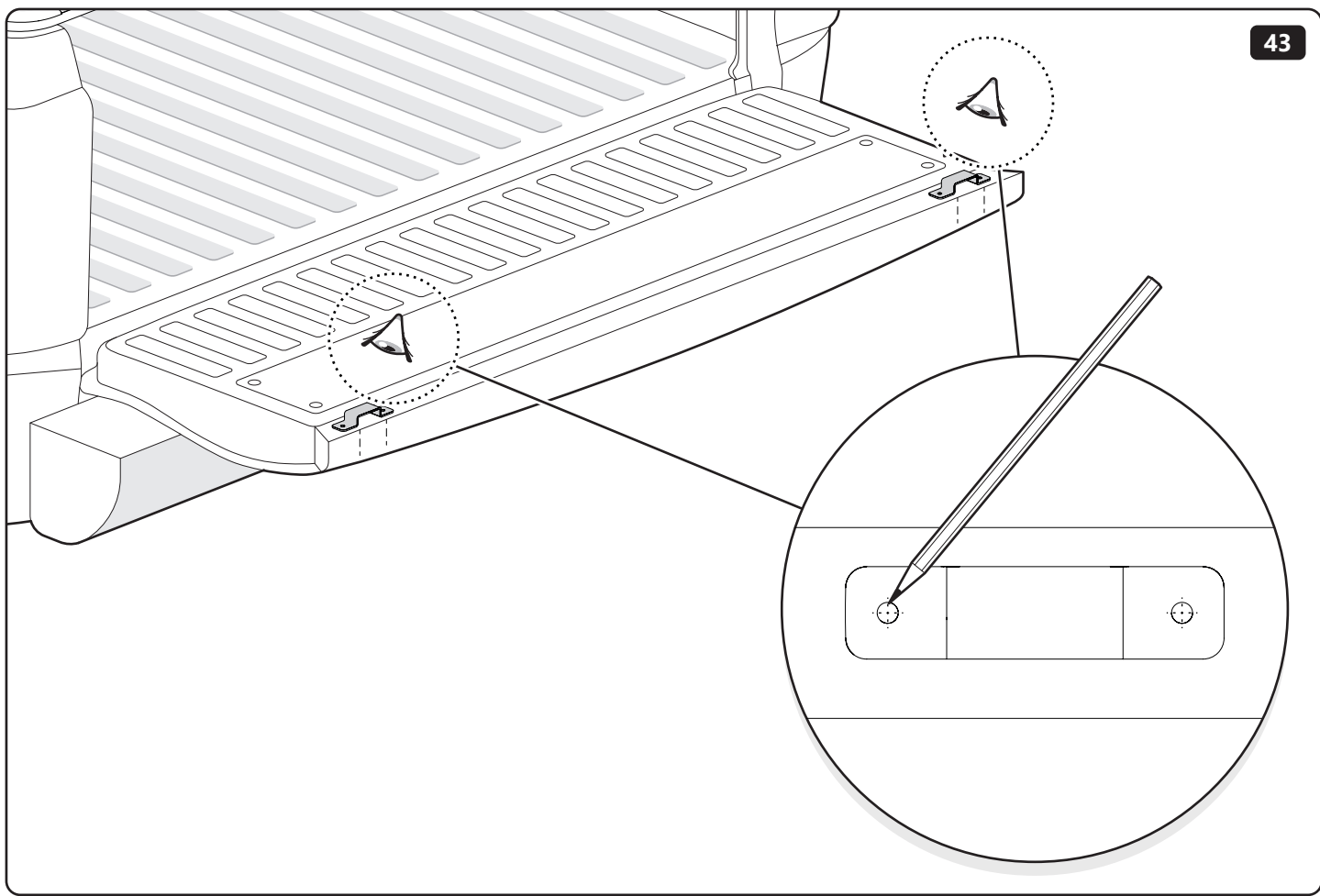
19mm

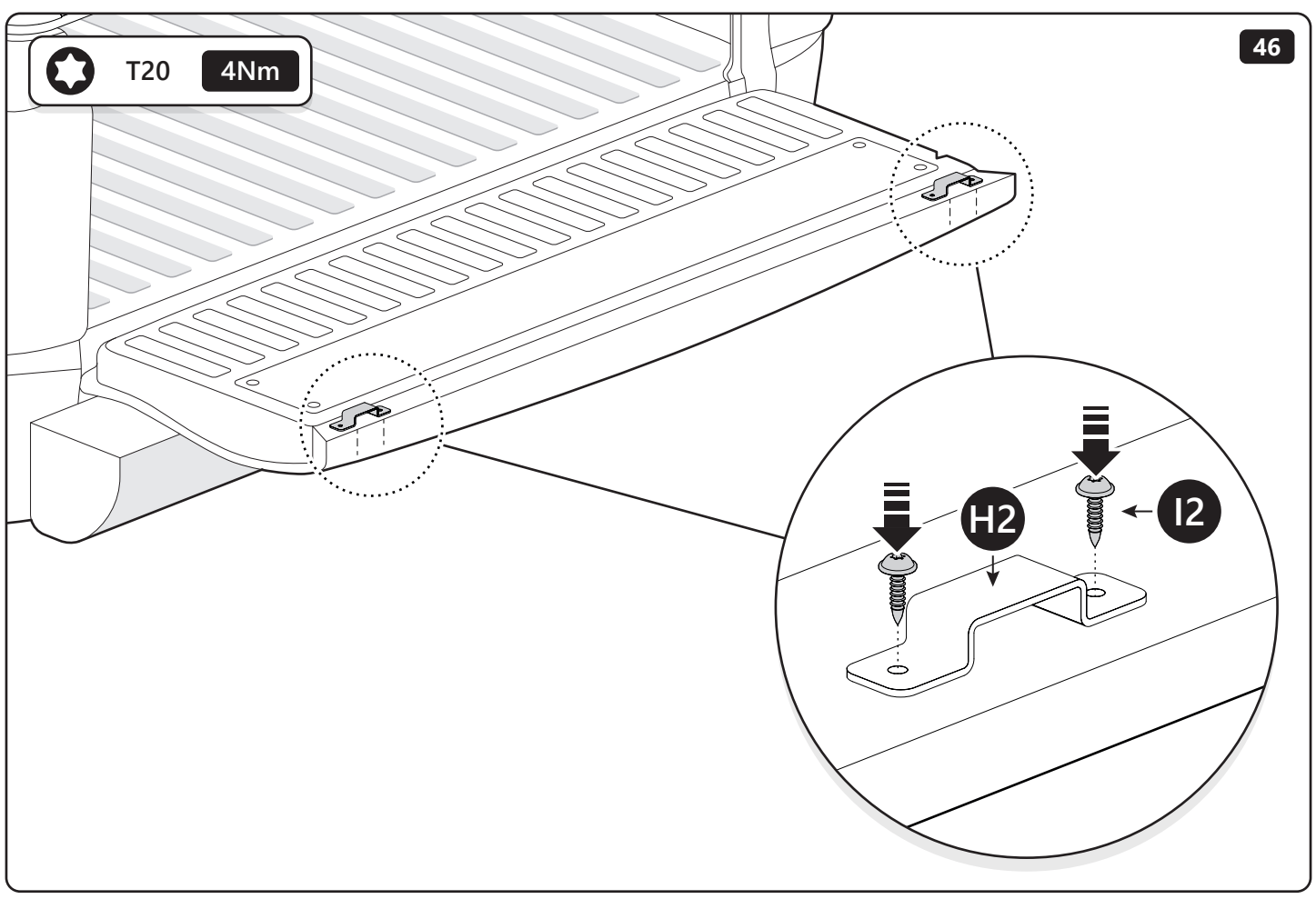
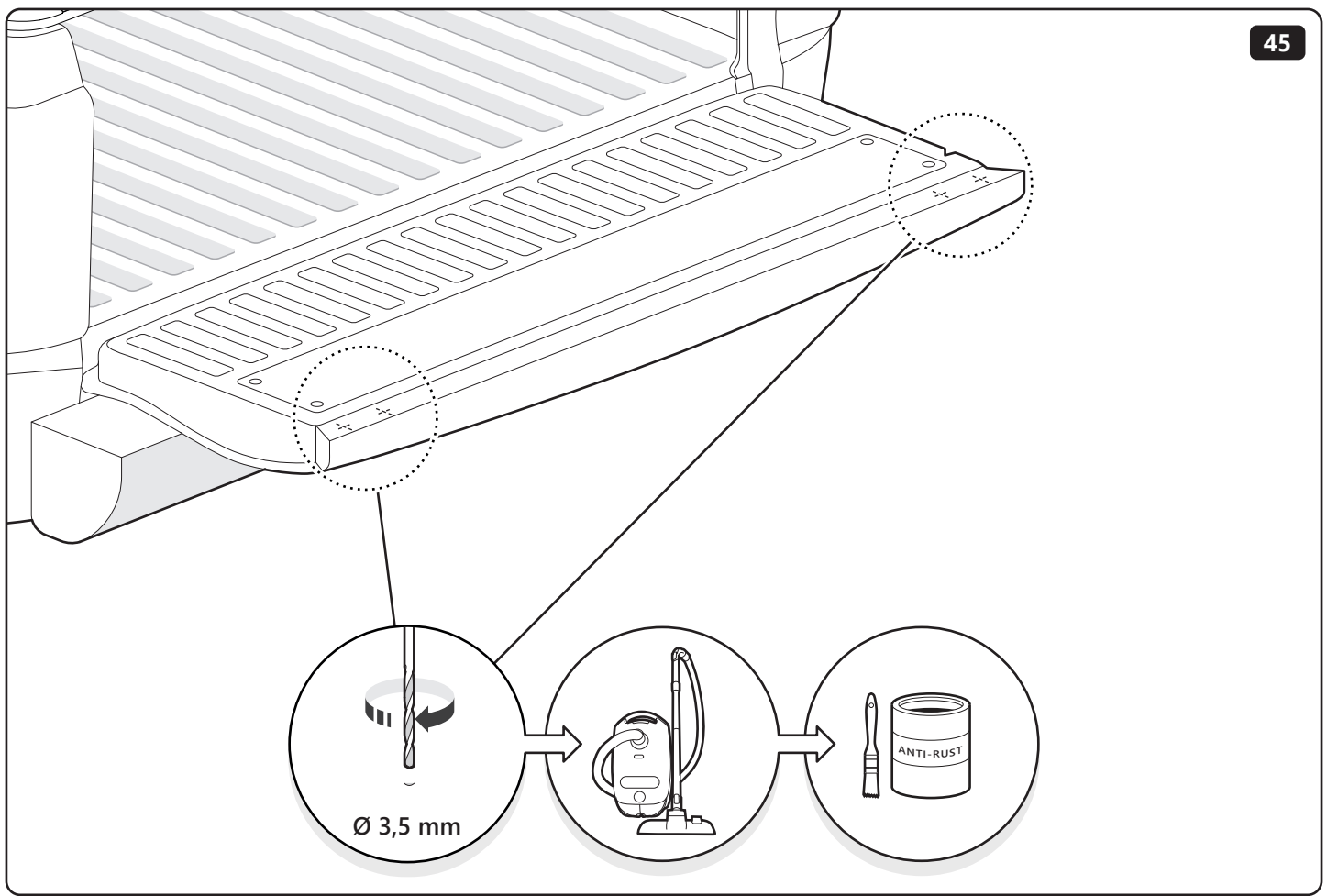






















Customer Service +45 4810 2950 (08:00 - 16:00 CET)  
Fax +45 4810 2960  
Support info@mountaintop.dk  
Website www.mountaintop.dk  
Address Pedersholmparken 10, 3600 Frederikssund, Denmark

PART NUMBER(S)	MODEL / YEAR	CAB TYPE(S)	INSTALLATION TIME	WEIGHT
MT2 TO90/91	Toyota / 2015 →	Double / Extra	1 hour(s)	29 - 40 Kg
MT2 IS90/91	Isuzu / 2006 - 2011	Double / Space	1 hour(s)	29 - 40 Kg
MT2 FO90/91	Ford / 2011 →	Double / Super	1 hour(s)	29 - 40 Kg
MT2 MI91	Mitsubishi / 2015 →	Club	1 hour(s)	29 - 40 Kg
MT2 VW80	Volkswagen / 2010 →	Double	1 hour(s)	29 - 40 Kg
MT2 IS10/11	Isuzu / 2020 →	Crew / Extend	1 hour(s)	29 - 40 Kg

<b>GB</b> Installation manual	<b>S</b> Monteringsanvisning	<b>D</b> Einbauanleitung
<b>SF</b> Asennusohje	<b>E</b> Instrucciones de montaje	<b>CZ</b> Návod k instalaci
<b>F</b> Notice de montage	<b>H</b> Szerelési utasítás	<b>I</b> Istruzioni de montaggio
<b>PL</b> Instrukcja montażu	<b>P</b> Instruções de instalação	<b>GR</b> Οδηγίες Εγκατάστασης
<b>NL</b> Installatie-instructies	<b>RUS</b> Инструкция по установке	<b>DK</b> Monteringsvejledning
<b>TR</b> Montaj Talimatı	<b>N</b> Monteringsveiledning	<b>RO</b> Instructiuni de instalare